

Input: 220~240V ac 50/60Hz 10A

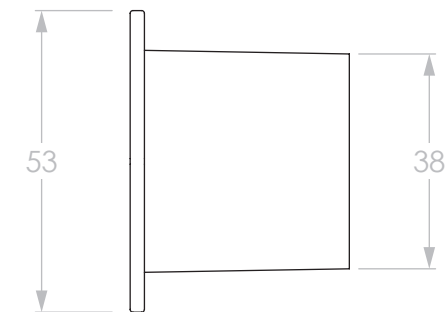
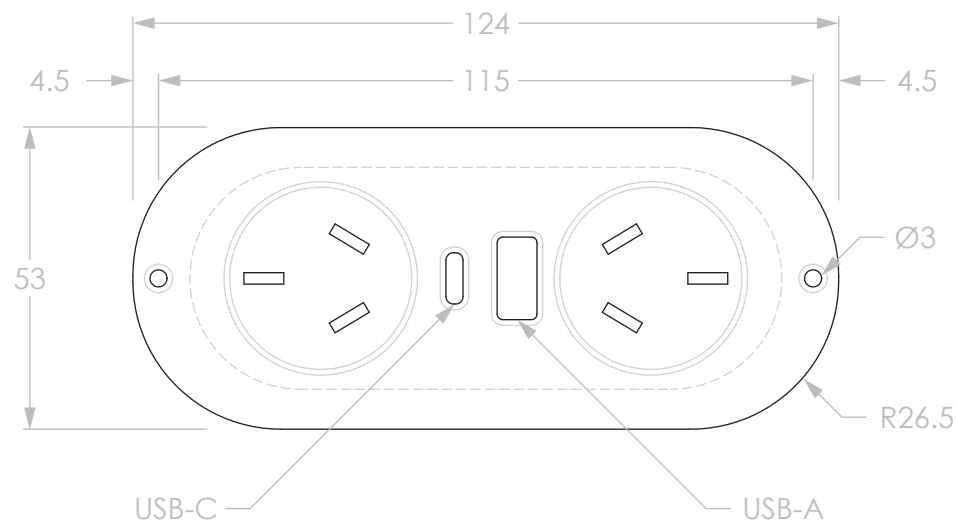
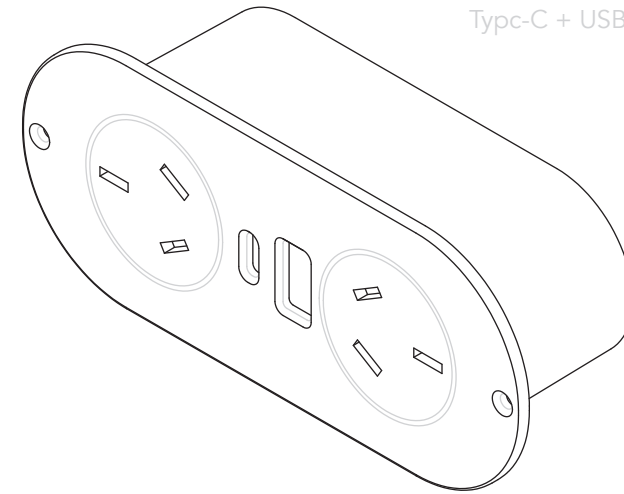
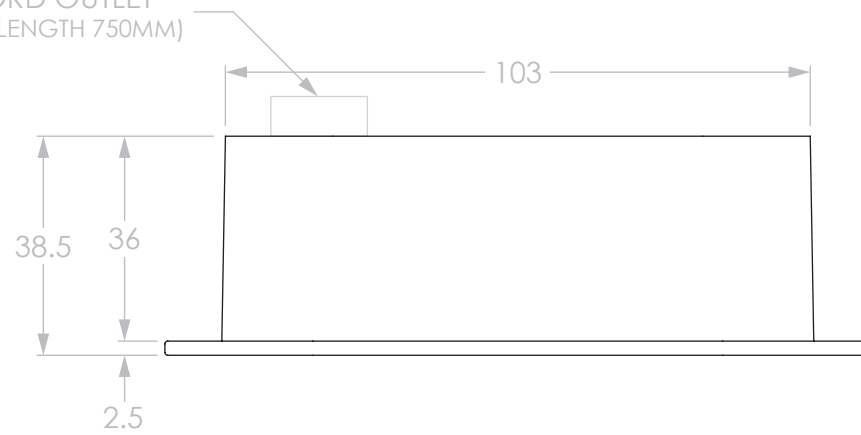
Output: USB-C + USB-A 5V/3A

USB-C: 5V3A / 9V2A / 12V1.67A (20W Max)

USB-A: 5V3A / 9V2A / 12V1.5A (20W Max)

Typc-C + USB-A: 5V/3A Max:20W

CORD OUTLET
(MAX LENGTH 750MM)



IN-DRAWER POWER POINT

CODE:	PWRDRW240VWH (WHITE) PWRDRW240VBK (BLACK)
SIZE:	124W x 53H x 38.5D
VERSION:	01 DATE: 27/08/2024

NOTES:
DIMENSIONS ARE NOMINAL. DO NOT DRILL OR ROUGH IN UNTIL YOU HAVE RECEIVED AND MEASURED YOUR VANITY.
ALL DIMENSIONS ARE IN MILLIMETRES. DO NOT MEASURE FROM DRAWING.
MAXIMUM CORD LENGTH IS 750MM