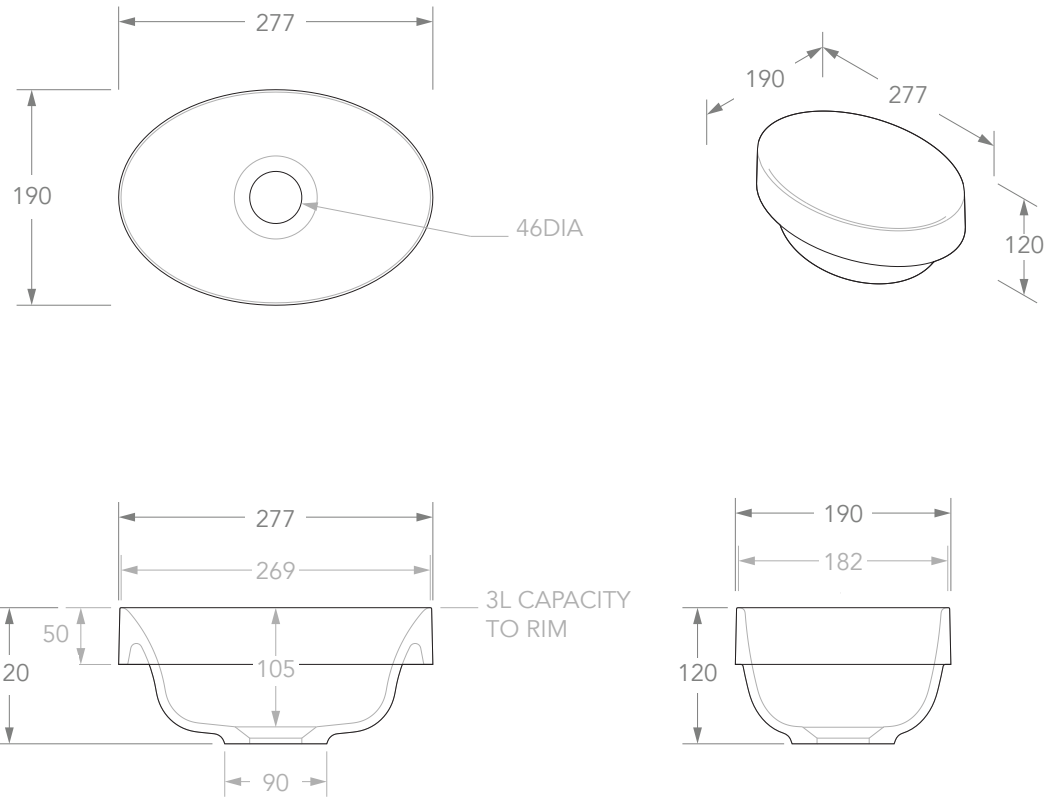



PRODUCT: CLIFTON MINI ALL DOOR 470 WH  
 CODE: CLIMDS0470WHC\*\*  
 MOUNTING: WALL HUNG  
 SIZE: 470W X 392H X 251D  
 CONFIGURATION: RIGHT OR LEFT HINGE PLACEMENT  
 VERSION: 01 DATE: 01.03.22



CONTACT INFORMATION:  
 EMAIL: [ORDERS@ADPAUSTRALIA.COM.AU](mailto:ORDERS@ADPAUSTRALIA.COM.AU)  
 PHONE: +61 2 4271 2444  
 ADDRESS: 37-45 GLASTONBURY AVE, UNANDERRA NSW 2526  
 UNANDERRA NSW 2526  
 DRAWN BY: PHILLIP BORGES

NOTES:  
 ALL DIMENSIONS ARE NOMINAL AND SUBJECT TO CHANGE.  
 DO NOT DRILL OR ROUGH IN UNTIL YOU HAVE RECEIVED AND MEASURED YOUR PRODUCT.  
 ALL DIMENSIONS ARE IN MILLIMETRES.  
 DO NOT MEASURE FROM DRAWING.  
 ADD SUFFIX TO CODE FOR CHERRY PIE (CP), CAESARSTONE (CS), FRIDAY HYBRID (FD).



<b>PRODUCT</b>	JOY	<b>MATERIAL</b>	SOLID SURFACE	<b>NOTES:</b> ALL DIMENSIONS ARE NOMINAL. DO NOT DRILL OR ROUGH IN UNTIL YOU HAVE RECEIVED AND MEASURED YOUR PRODUCT.  BASIN SUITS 32MM WASTE. ADP UNIVERSAL PLUG AND WASTE RECOMMENDED (SOLD SEPARATELY). BASIN CUT-OUT IS 264 X 184 OVAL. CUT-OUT DXF DOWNLOAD AVAILABLE AT ADPAUSTRALIA.COM.AU ALL DIMENSIONS ARE IN MILLIMETRES. DO NOT MEASURE FROM DRAWING.
<b>CODE</b>	TOPSJOY2819**	<b>COLOUR</b>	WHITE	
<b>STYLE</b>	SEMI INSET	<b>FINISH</b>	** GLOSS (WG), MATTE (WM)	
<b>DIMENSIONS</b>	277W X 190D X 120H			
<b>CAPACITY</b>	3L TO RIM			
VERSION 4	DATE 23/04/2020			