

# In-Drawer Power Point

## Installation Instructions

### INSTRUCTIONS

**NOTE** Electrician must install a powerpoint/GPO in the back of the cabinet to supply power to powerpoint. This unit is not designed to be hard wired.

- 1/ Cut slot in back panel of drawer box measuring 106W x 40H x R20 (as specified in Figure A).
- 2/ Pull plug and cord through the front of the slot and fit main housing of power point into the slot with the back of the face plate flush with the board.
- 3/ Screw into the board through the holes on either side of the face plate to secure powerpoint (see Figure B).
- 4/ Connect 3-Pin plug to powerpoint/GPO in back of cabinet to supply power to powerpoint.

### ELECTRICAL INFORMATION

Input: 220~240V ac 50/60Hz 10A

Output: USB-C + USB-A 5V/3A

USB-C: 5V3A / 9V2A / 12V1.67A (20W Max)

USB-C: 5V3A / 9V2A / 12V1.5A (20W Max)

Typc-C + USB-A: 5V/3A Max:20W



### WARNING

To reduce the risk of fire, electric shock, or injury:

- 1/ Use the unit indoors only.
- 2/ Do not use extension cord(s) to connect the unit.
- 3/ Do not use product for connecting devices over specified rating.
- 4/ Do not try to open unit for any reason.

Figure A.

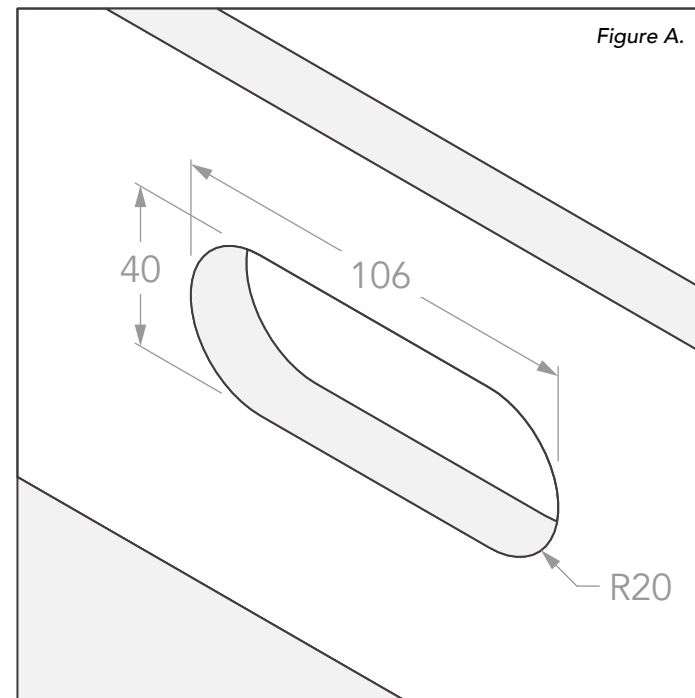


Figure B.

