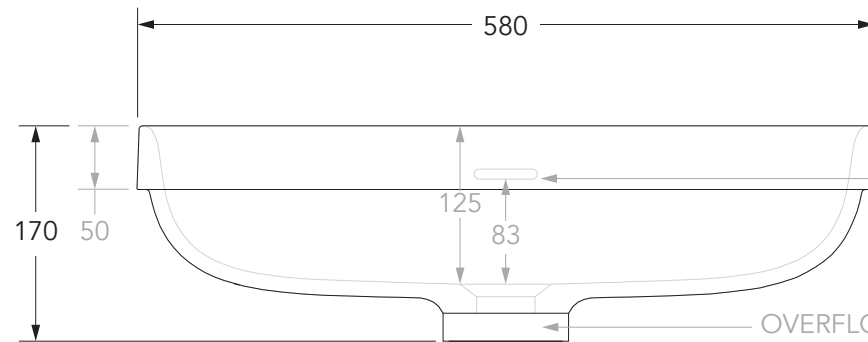
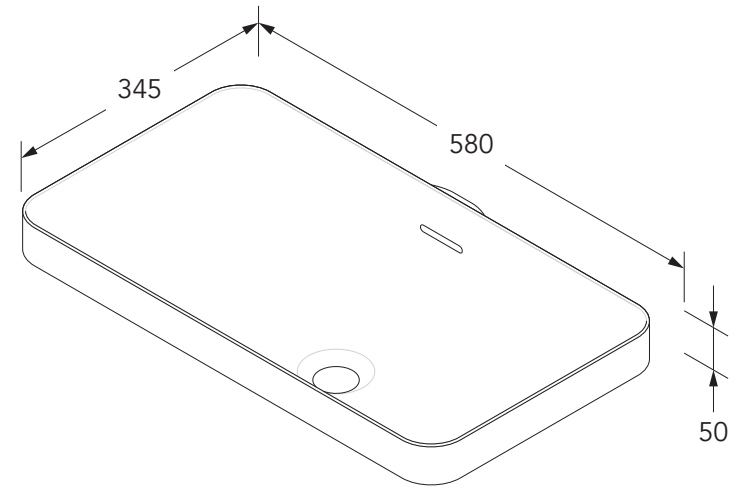
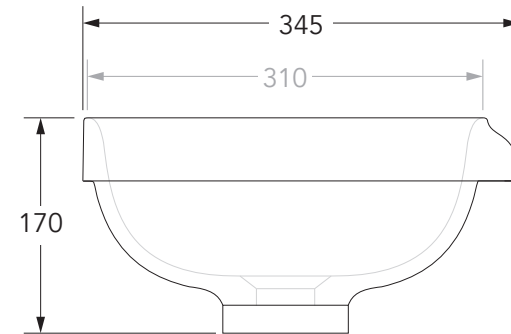


44 DIA WASTE
CENTRED



10L CAPACITY
TO OVERFLOW

OVERFLOW



PRODUCT:	ZEYA SEMI-INSET BASIN
SIZE:	580W x 345D x 170H
CODE:	TOPSZEY5832W*
VERSION: 04	DATE: 19/06/2026

CAPACITY:	10L TO OVERFLOW
STYLE:	SEMI-INSET
MATERIAL:	SOLID SURFACE
FINISH*:	GLOSS WHITE (TOPSZEY5832WG) MATTE WHITE (TOPSZEY5832WM)

NOTES:	DIMENSIONS ARE NOMINAL. DO NOT DRILL OR ROUGH IN UNTIL YOU HAVE RECEIVED AND MEASURED YOUR PRODUCT. ALL DIMENSIONS ARE IN MILLIMETRES. DO NOT MEASURE FROM DRAWING. BASIN SUITS 32MM WASTE. ADP UNIVERSAL PLUG AND WASTE RECOMMENDED (SOLD SEPARATELY).
--------	---