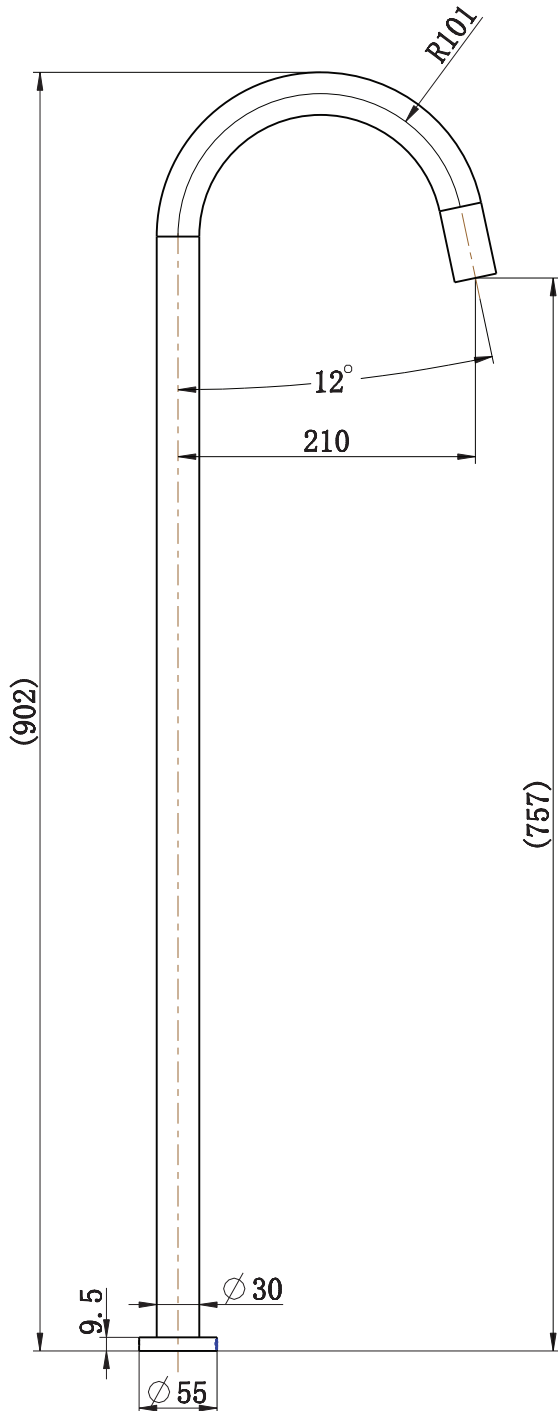


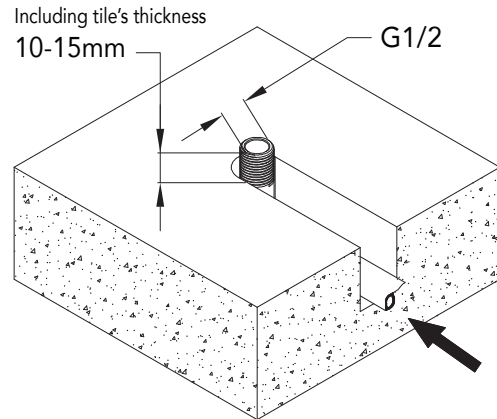
# SPECIFICATIONS

## BLOOM FLOOR SPOUT

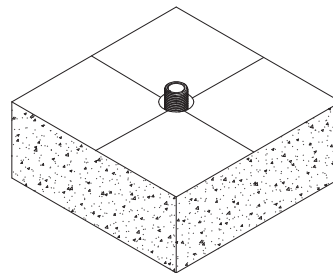
# Adp



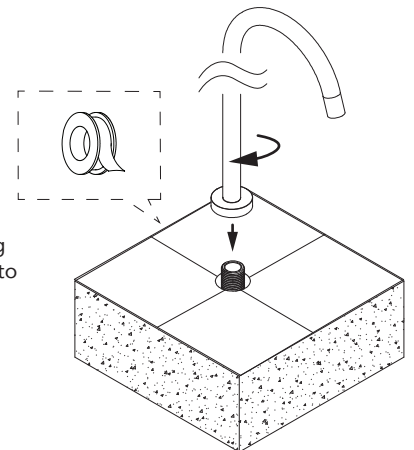
1. Cut a channel and recess pipe in the floor, make sure the G1/2" connector exceeds floor of 10-15mm. (Including tile's thickness.)



2. Tile the floor.



3. Fasten the spout to the G1/2 connector tightening clock-wise until firm and facing bath tub. Use plumber's tape to ensure seal.



4. Turn on water supply and test for leaks.

JTAPFSBLMCP  
 JTAPFSBLMBK  
 JTAPFSBLMNK  
 JTAPFSBLMBB



### Water supply requirements

Not recommended for gravity fed water systems or water tanks.

Working Pressure: 350 – 500kpa (including cold and hot water pressure)  
 Maximum Pressure: 73psi / 500kpa  
 Temperature Rating: 5°C - 65°C (must not exceed 70°C)

Installation should comply with Australian standard AS/NZS 3500 or relevant local authority requirements.