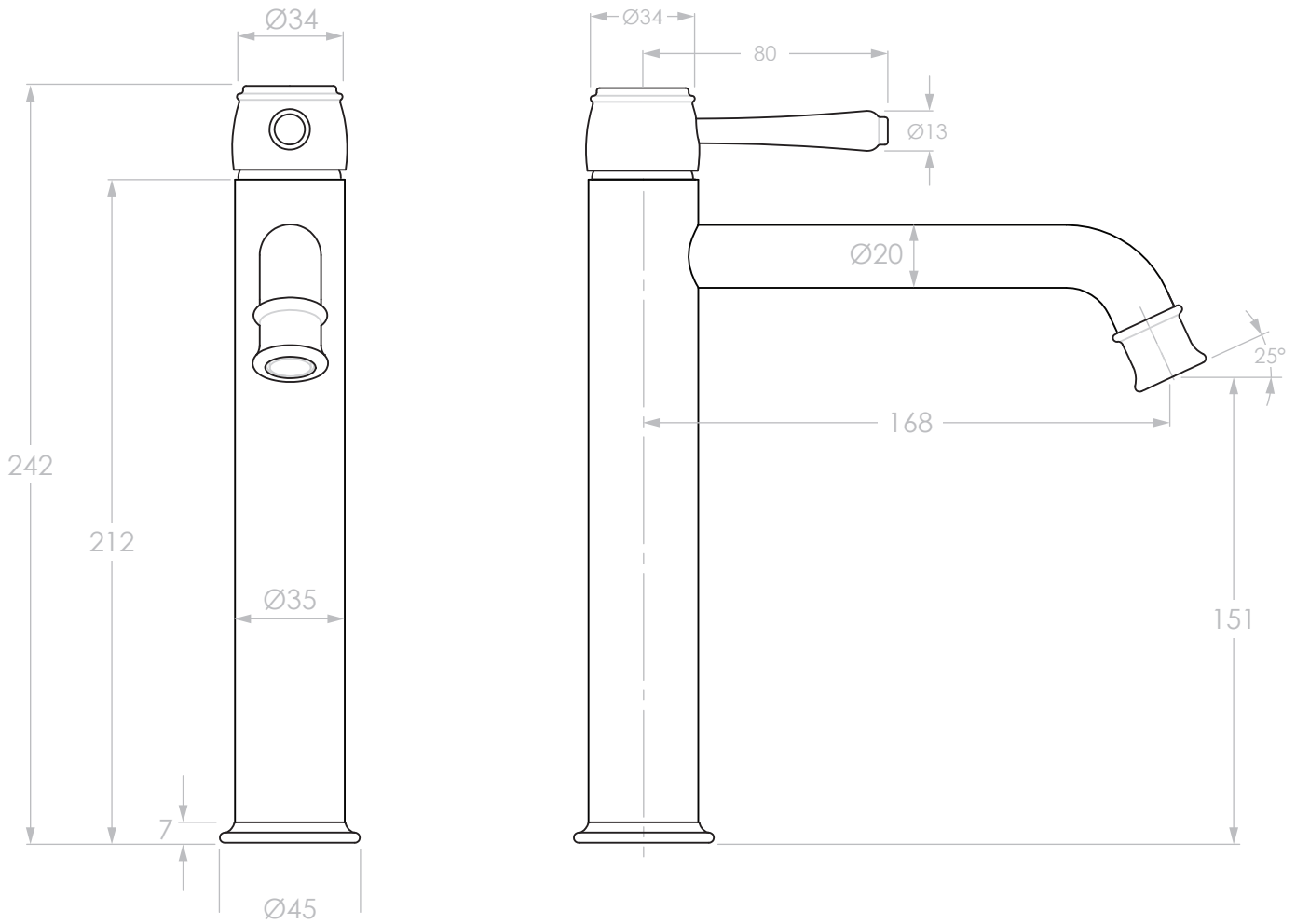


PRODUCT:	ETERNAL EXT. BASIN MIXER
SIZE:	242H x 200D x 45W
TYPE:	EXTENDED BASIN MIXER
VERSION: 01	DATE: 30/11/2023

CHROME  
 MATTE BLACK  
 BRUSHED NICKEL  
 BRUSHED BRASS  
 BRUSHED COPPER

JTAPEBSOIECP  
 JTAPEBSOIEBA  
 JTAPEBSOIEBK  
 JTAPEBSOIEBB  
 JTAPEBSOIEBCO



**NOTES:**

ALL DIMENSIONS ARE NOMINAL AND SUBJECT TO CHANGE.  
 DO NOT DRILL OR ROUGH IN UNTIL YOU HAVE RECEIVED AND MEASURED YOUR PRODUCT.  
 ALL DIMENSIONS ARE IN MILLIMETRES.  
 DO NOT MEASURE FROM DRAWING.

**WATER SUPPLY REQUIREMENTS:**

NOT RECOMMENDED FOR GRAVITY FED WATER SYSTEMS OR WATER TANKS.  
 WORKING PRESSURE: 350 - 500KPA (INCLUDING COLD AND HOT WATER PRESSURE)  
 MAXIMUM PRESSURE: 73PSI / 500KPA  
 TEMPERATURE RATING: 5°C - 65°C (MUST NOT EXCEED 70°C)  
 INSTALLATION SHOULD COMPLY WITH AUSTRALIAN STANDARD AS/NZS 3500 OR RELEVANT LOCAL AUTHORITY REQUIREMENTS.