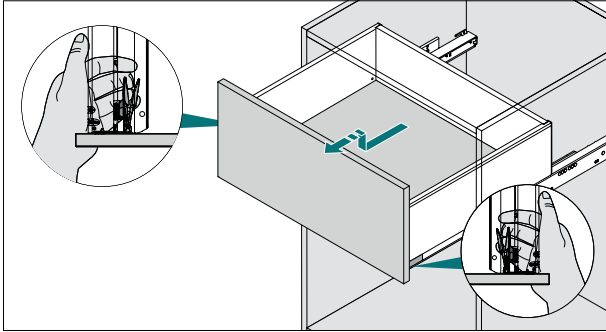




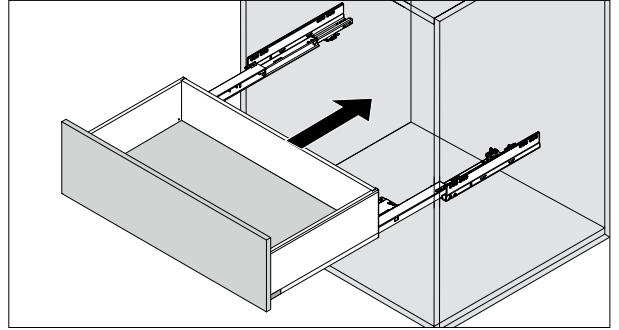
PUSH-TO-OPEN BLUM LEGRABOX DRAWERS

NOTE: Please use a star/torx screwdriver for adjusting the Blum Legrabox.

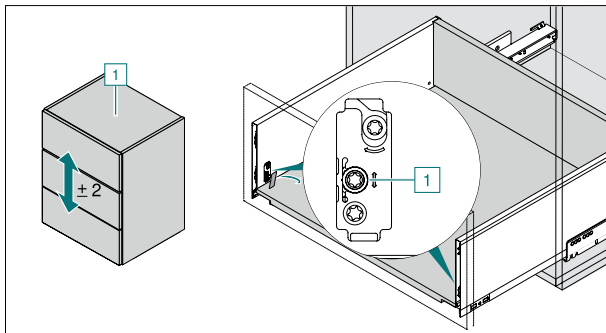
REMOVING DRAWER



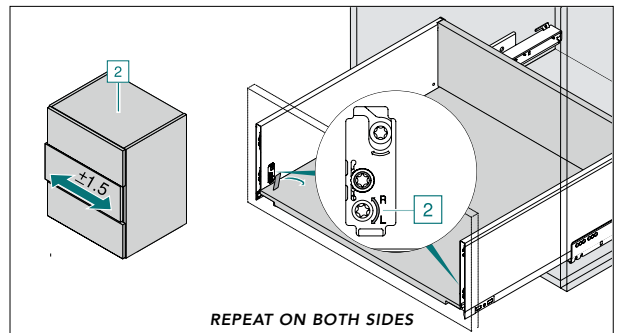
INSERTING DRAWER



HEIGHT ADJUSTMENT

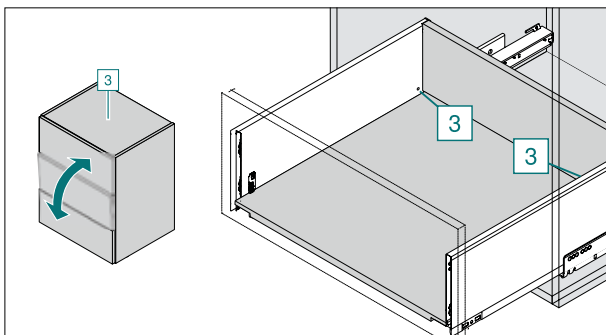


LATERAL ADJUSTMENT

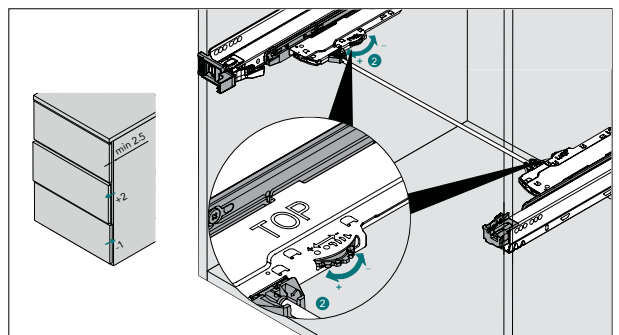


REPEAT ON BOTH SIDES

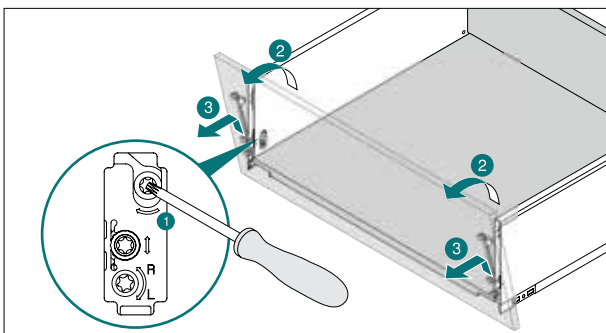
TILT ADJUSTMENT



DEPTH ADJUSTMENT



DRAWER FRONT REMOVAL



DRAWER FRONT INSTALLATION

