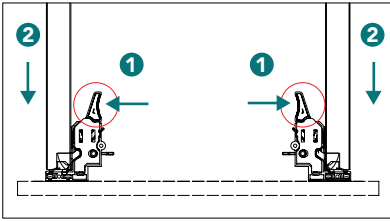




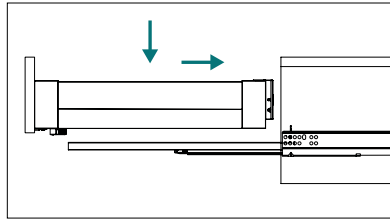
DELUXE LED CLEAR GLASS DRAWERS

REMOVING DRAWER

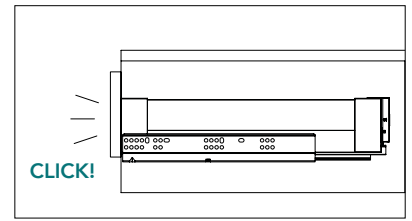


Pull drawer out and squeeze both levers in on the underside of the drawer, at the same time (to activate release) and pull drawer out to remove.

INSERTING DRAWER

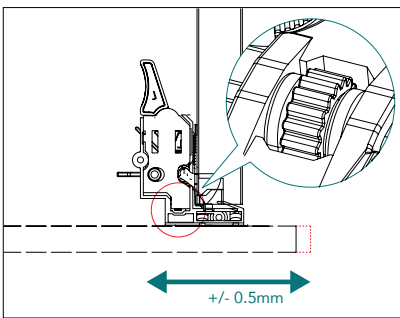


Extend drawer runners out and place drawer on runners. Push drawer closed until it is about 2cm out from the vanity.

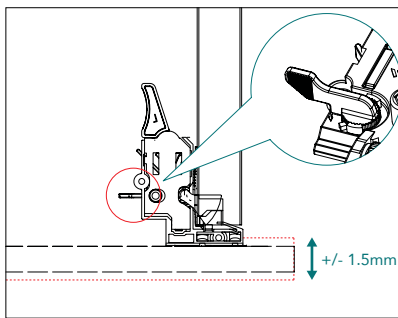


You will then need to apply a little force on the drawer front (near the bottom) to push closed and connect runners in place.

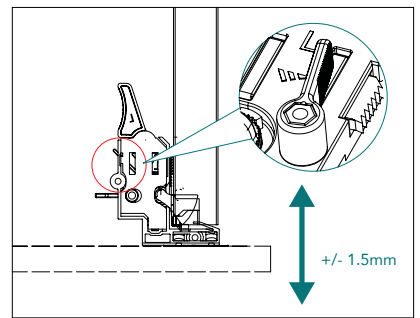
LATERAL ADJUSTMENT



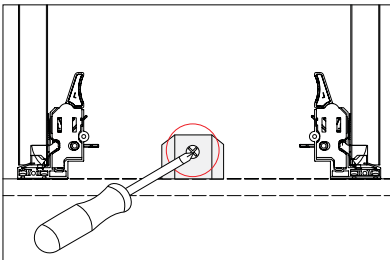
DEPTH ADJUSTMENT



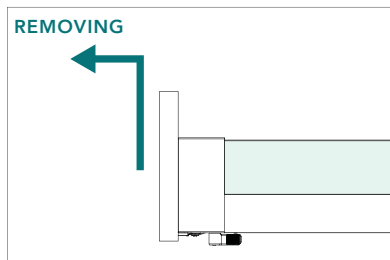
HEIGHT ADJUSTMENT



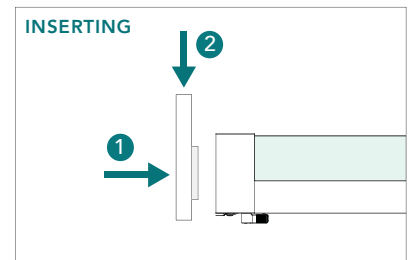
DRAWER FRONT REMOVAL AND INSTALLATION



Depending on width of drawer you may need to unscrew and remove middle bracket on the under side of the drawer.



Hold drawer side *down* as you lift drawer front *up* to slide drawer front up and off. You will need to do this to both sides.

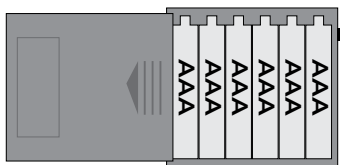


1. Line up the brackets on the drawer front with drawer sides.
2. Slide drawer front down to secure in place.

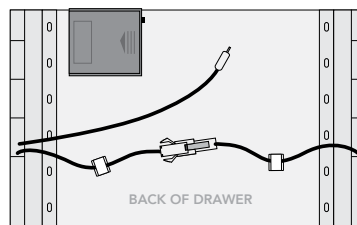


BATTERY PACK INSTALLATION

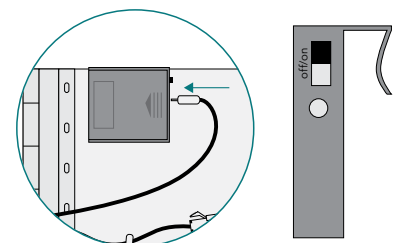
BATTERY PACK INSTRUCTIONS FOR LED FROSTED GLASS DRAWERS AND DELUXE LED CLEAR GLASS DRAWERS



6 x AAA batteries are required for the battery pack. Slide the cover plate off, insert batteries and slide cover plate back on.



On the back of the drawer attach the supplied battery pack on the top left hand side over the back panel.



Plug the cord into the side port of the battery pack. Turn the switch to the 'ON' position. The LED lights in the drawer sides should switch on.