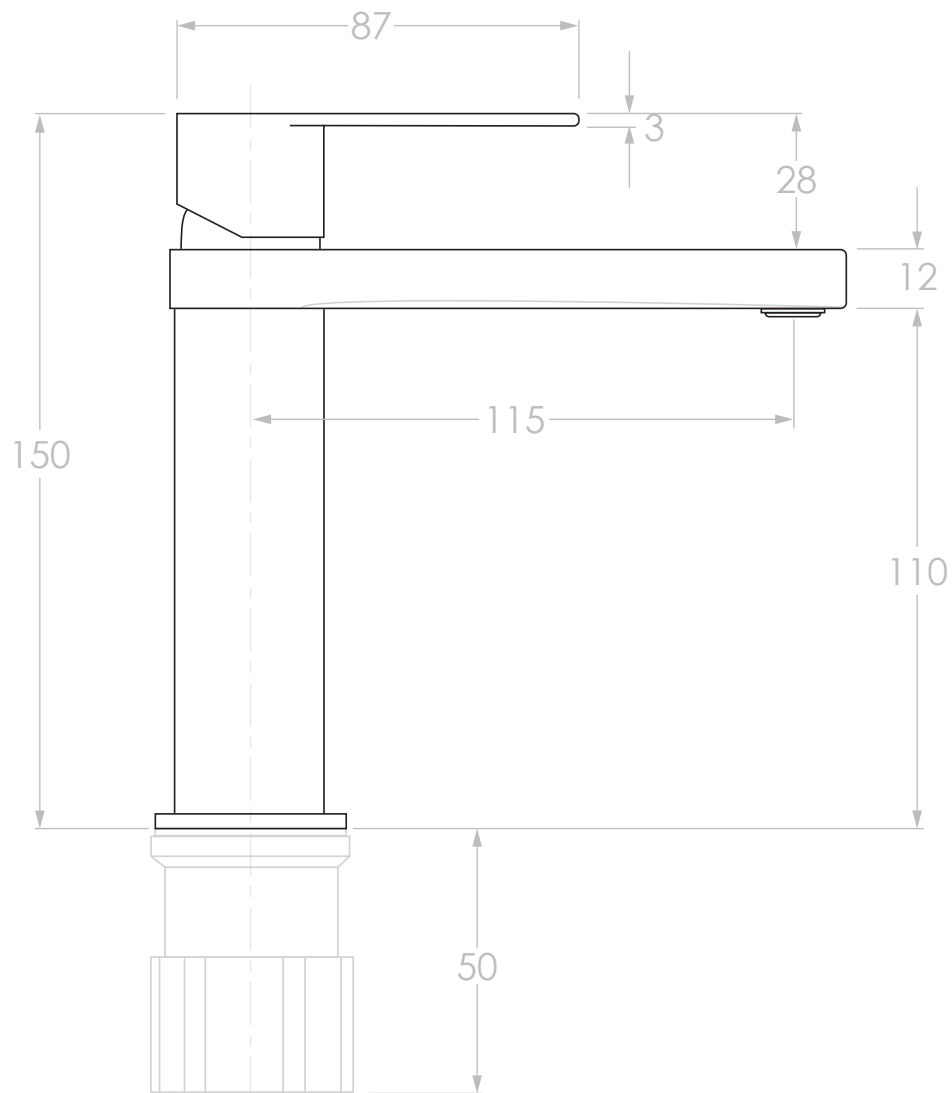


# Adp

PRODUCT:	COSMOPOLITAN BASIN MIXER
SIZE:	150H x 150D x 36W
TYPE:	BASIN MIXER
VERSION: 03	DATE: 04/04/2023

FINISH:  
CHROME  
MATTE BLACK  
MATTE BLACK & CHROME

CODE:  
JTAPEBCOSCP  
JTAPEBCOSBA  
JTAPEBCOSBK



#### NOTES:

ALL DIMENSIONS ARE NOMINAL AND SUBJECT TO CHANGE.  
DO NOT DRILL OR ROUGH IN UNTIL YOU HAVE RECEIVED AND MEASURED YOUR PRODUCT.  
ALL DIMENSIONS ARE IN MILLIMETRES.  
DO NOT MEASURE FROM DRAWING.

#### WATER SUPPLY REQUIREMENTS:

NOT RECOMMENDED FOR GRAVITY FED WATER SYSTEMS OR WATER TANKS.  
WORKING PRESSURE: 350 – 500KPA (INCLUDING COLD AND HOT WATER PRESSURE)  
MAXIMUM PRESSURE: 73PSI / 500KPA  
TEMPERATURE RATING: 5°C - 65°C (MUST NOT EXCEED 70°C)  
INSTALLATION SHOULD COMPLY WITH AUSTRALIAN STANDARD AS/NZS 3500 OR RELEVANT LOCAL AUTHORITY REQUIREMENTS.