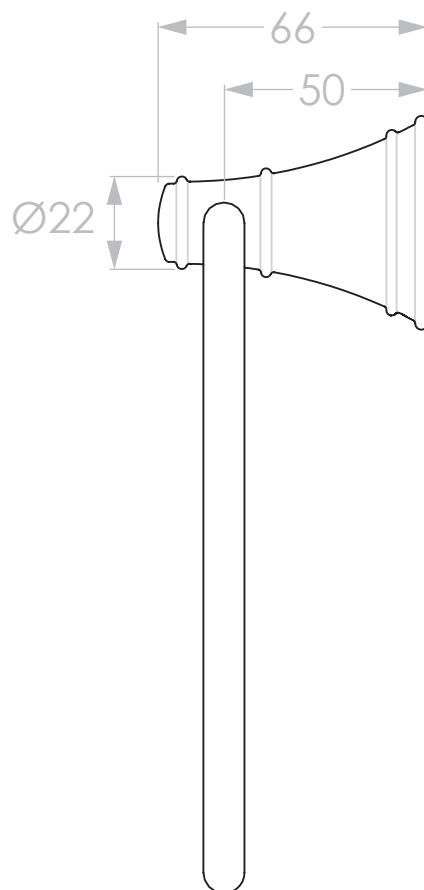
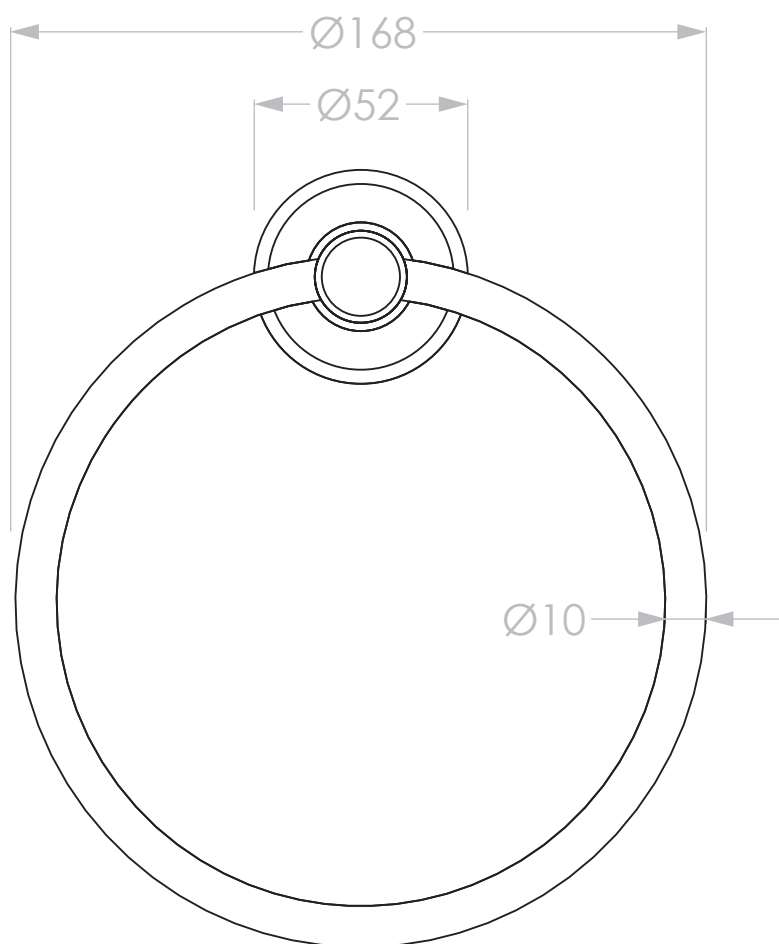


PRODUCT:	ETERNAL TOWEL RING
SIZE:	189H x 66D x 168W
TYPE:	ACCESSORY
VERSION: 01	DATE: 11/04/2023

CHROME (CHROMIUM PLATED)  
 MATTE BLACK (ELECTROPLATED)  
 BRUSHED NICKEL (PVD)  
 BRUSHED BRASS (PVD)  
 BRUSHED COPPER (PVD)

JACCSOETRCP  
 JACCSOETRBK  
 JACCSOETRNC  
 JACCSOETRBB  
 JACCSOETRBCO



DO NOT MEASURE FROM DRAWING.  
 ALL DIMENSIONS ARE IN MILLIMETRES.  
 ALL DIMENSIONS ARE NOMINAL AND SUBJECT TO CHANGE.  
 DO NOT DRILL OR ROUGH IN UNTIL YOU HAVE RECEIVED AND MEASURED YOUR PRODUCT.