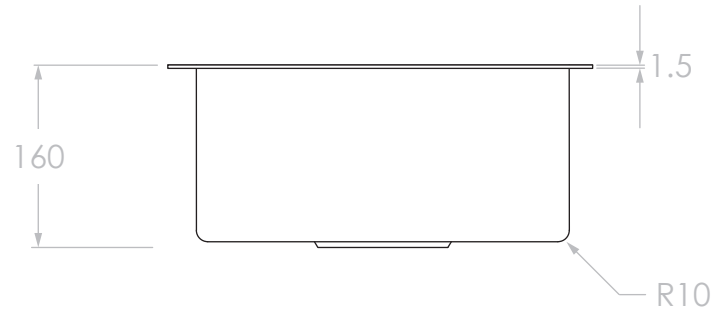
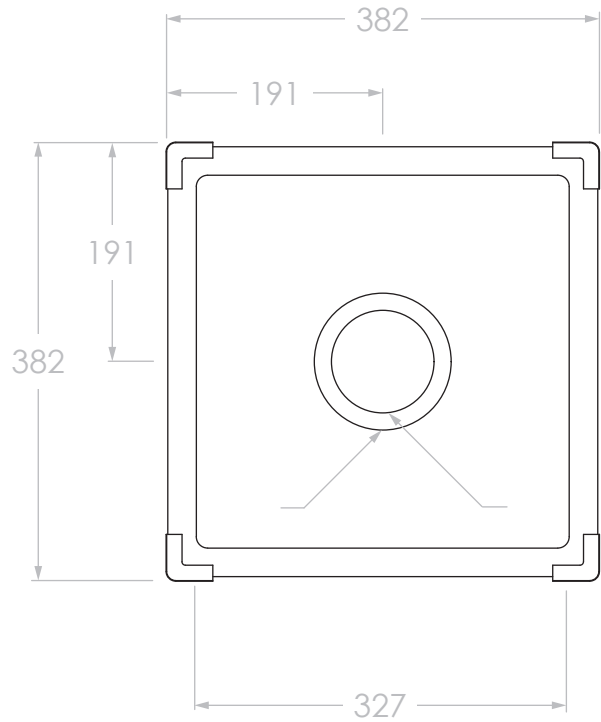
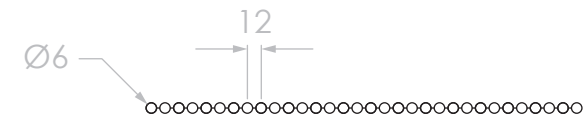
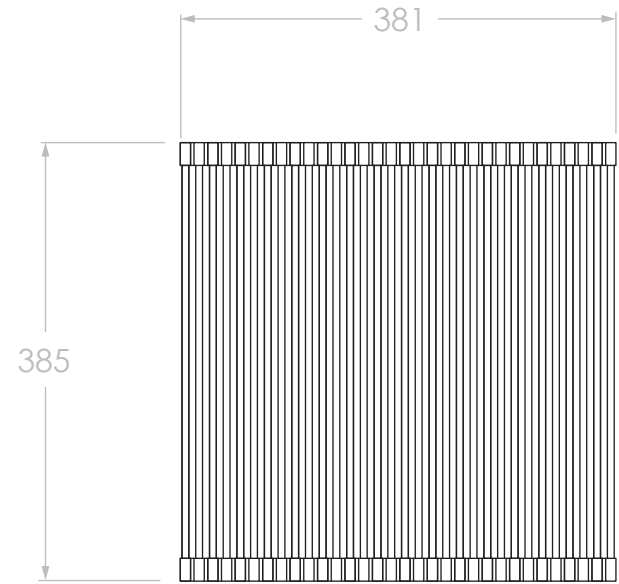


PRODUCT	CLOVELLY UNIVERSAL LARGE SINK	MATERIAL	304 GRADE STAINLESS STEEL	NOTES: DO NOT DRILL OR ROUGH IN UNTIL YOU HAVE RECEIVED AND MEASURED YOUR PRODUCT. ALL DIMENSIONS ARE IN MILLIMETRES. DO NOT MEASURE FROM DRAWING. ALL DIMENSIONS HAVE A TOLERANCE OF +/- 1MM STAINLESS STEEL BASKET WASTE INCLUDED. TO SUIT 50MM TRAP. 63L SINK CAPACITY.
CODE	SINKCLOM8244SS	FINISH	BRUSHED	
STYLE	DROP-IN OR UNDERCOUNTER	COLOUR	NATURAL	
DIMENSIONS	820W X 440D X 250H			
PAGE	1 OF 3			
VERSION 4	DATE 20/03/2023			

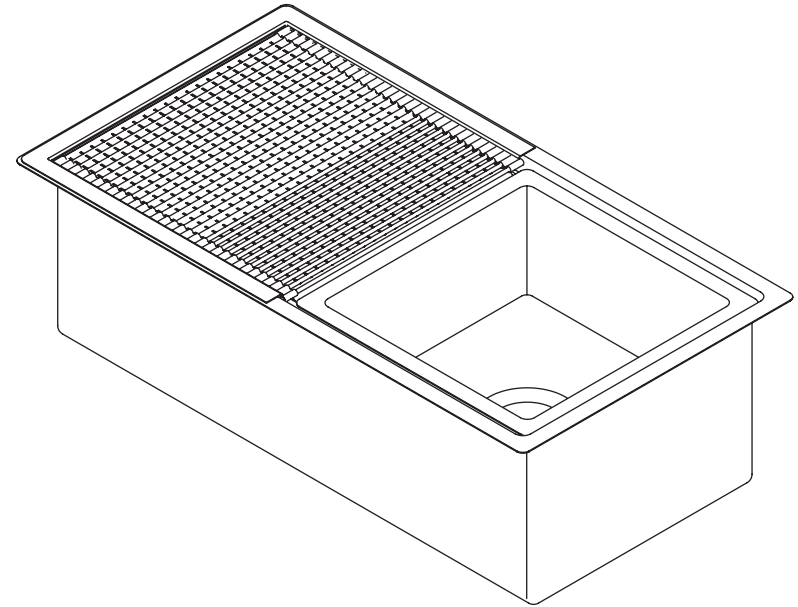
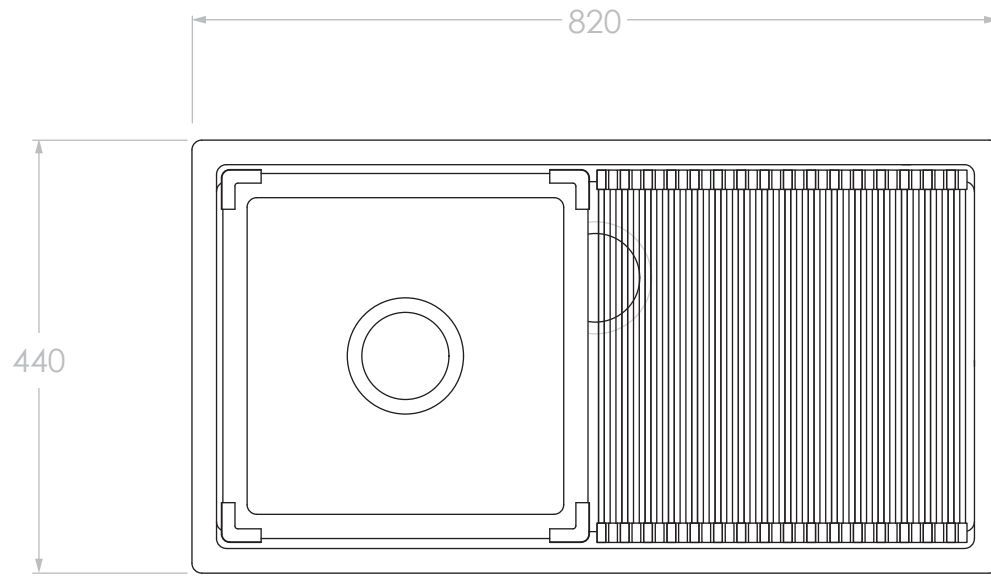



INNER SINK



DISH DRAINER

PRODUCT	CLOVELLY INNER SINK AND DISH DRAINER	MATERIAL	304 GRADE STAINLESS STEEL	NOTES: DO NOT DRILL OR ROUGH IN UNTIL YOU HAVE RECEIVED AND MEASURED YOUR PRODUCT. ALL DIMENSIONS ARE IN MILLIMETRES. DO NOT MEASURE FROM DRAWING. ALL DIMENSIONS HAVE A TOLERANCE OF +/- 1MM STAINLESS STEEL BASKET WASTE INCLUDED. TO SUIT 50MM TRAP.
CODE	SINKCLOM8244SS	FINISH	BRUSHED	
STYLE	DROP-IN OR UNDERCOUNTER	COLOUR	NATURAL	
DIMENSIONS	MIXED			
PAGE	2 OF 3			
VERSION 4	DATE 20/03/2023			



PRODUCT	CLOVELLY UNIVERSAL SINK SET	MATERIAL	304 GRADE STAINLESS STEEL	NOTES: DO NOT DRILL OR ROUGH IN UNTIL YOU HAVE RECEIVED AND MEASURED YOUR PRODUCT. ALL DIMENSIONS ARE IN MILLIMETRES. DO NOT MEASURE FROM DRAWING. ALL DIMENSIONS HAVE A TOLERANCE OF +/- 1MM STAINLESS STEEL BASKET WASTE INCLUDED. TO SUIT 50MM TRAP.
CODE	SINKCLOM8244SS	FINISH	BRUSHED	
STYLE	DROP-IN OR UNDERCOUNTER	COLOUR	NATURAL	
DIMENSIONS	820W X 440D X 250H			
PAGE	3 OF 3			
VERSION 4	DATE 20/03/2023			