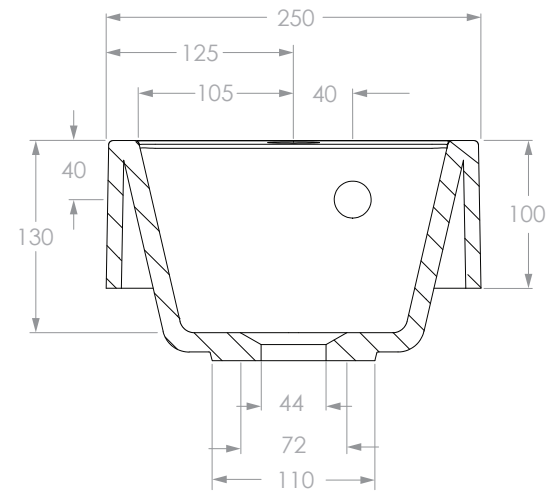



SECTION A-A



SECTION B-B

PRODUCT	BLUE 500 TOP	MATERIAL	CAST MARBLE
CODE	BL500C	COLOUR	WHITE
STYLE	MOULDED TOP	FINISH	GLOSS
DIMENSIONS	500W X 250D X 150H		
TAP HOLE	1 TAP HOLE		
VERSION 1	DATE 21/12/2021		

NOTES:
 BASIN REQUIRES 32MM WASTE WITH OVERFLOW. ADP UNIVERSAL WASTE RECOMMENDED (SOLD SEPARATELY)
 ALL DIMENSIONS ARE NOMINAL AND SUBJECT TO CHANGE. DO NOT DRILL OR ROUGH IN UNTIL YOU HAVE RECEIVED AND MEASURED YOUR PRODUCT.
 ALL DIMENSIONS ARE IN MILLIMETRES. DO NOT MEASURE FROM DRAWING.