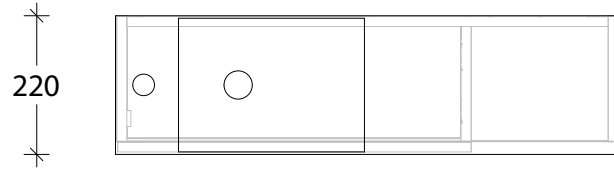
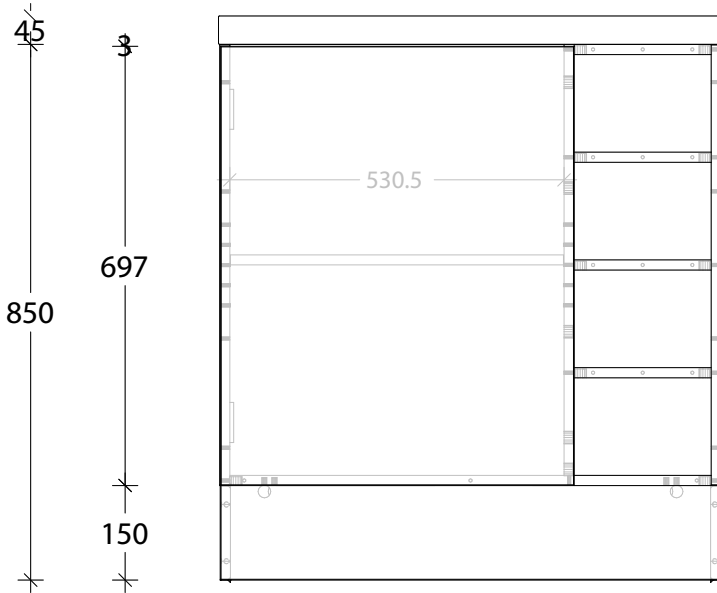


200



220

800



45

3

697

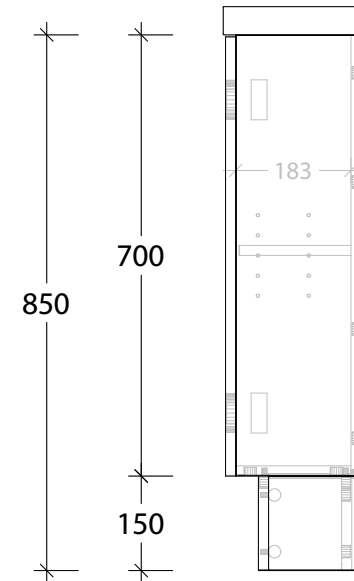
850

150

1.5

561 217.5 16

796



850

700

700

850

150

183

16

200

220



PRODUCT	PETITE SHELF 800 FLOOR MOUNT
CODE:	PETS800WK
MOUNTING:	FLOOR MOUNT
SIZE:	800W X 220D X 895H
CONFIGURATION:	ALL-DOOR
VERSION: 01	DATE: 09/12/22

TOP:	CAST MARBLE PENELOPE 800
BASIN POSITION:	OFFSET BASIN

NOTES:
ALL DIMENSIONS ARE NOMINAL AND SUBJECT TO CHANGE.
DO NOT DRILL OR ROUGH IN UNTIL YOU HAVE RECEIVED AND MEASURED YOUR PRODUCT.
ALL DIMENSIONS ARE IN MILLIMETRES.
DO NOT MEASURE FROM DRAWING.
*LEFT HAND OFFSET PICTURED, RIGHT HAND OFFSET IS MIRRORED (REPLACE CODE SUFFIX L, WITH R)