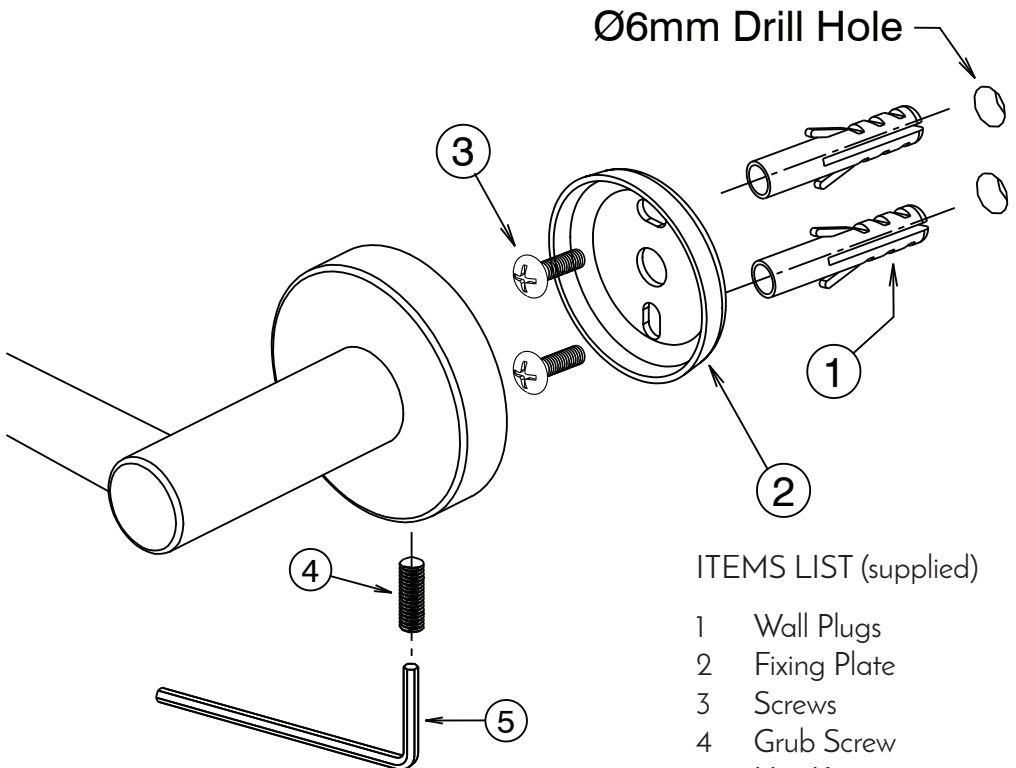


Soul.

INSTALLATION MANUAL



ITEMS LIST (supplied)

- 1 Wall Plugs
- 2 Fixing Plate
- 3 Screws
- 4 Grub Screw
- 5 Hex Key

YOU WILL NEED

- Spirit Level
- Drill
- 6mm Drill Bit
- Small/Tack Hammer
- Screw Driver

Soul.

INSTALLATION INSTRUCTIONS

IMPORTANT

- Wall Plugs supplied with this product are only for the use of installation on solid walls (brick, masonry block, concrete etc).
- To prevent drill from wandering on tiled surfaces it is recommended that masking tape be applied before drilling.

SOLID WALLS

- Mark and drill holes 6mm diameter, 40mm deep.
- IF multiple Fixing Plates (2) in use, use spirit level to ensure level.
- Insert round end of Wall Plugs (1) into drilled holes and tap with hammer until flush with surface.
- Fit screws (3) through slots in Fixing Plate (2) before inserting into Wall Plugs (1).
- Tighten screws (3).
- Install accessory onto Fixing Plate/s (2), making sure that the Grub Screw (4) is located underneath as shown.
- With the accessory in place against the wall surface, tighten Grub Screw (4) using Hex Key (5) provided.

TILED CAVITY WALLS (Plasterboard/tile, Fibre cement sheet/tile)

- Use appropriate Hollow Wall Anchors and M4 screws (not supplied) to replace Wall Plugs (1) and screws (3).

UNTILED CAVITY WALLS (Plasterboard, Fibre cement sheet)

- It is recommended that the accessory be screwed to a stud or noggin into the wall using suitable screws (not supplied).