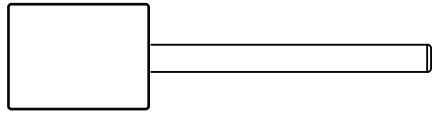


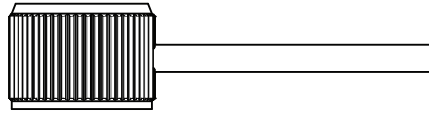
# SPECIFICATIONS

## SOUL SINK MIXER

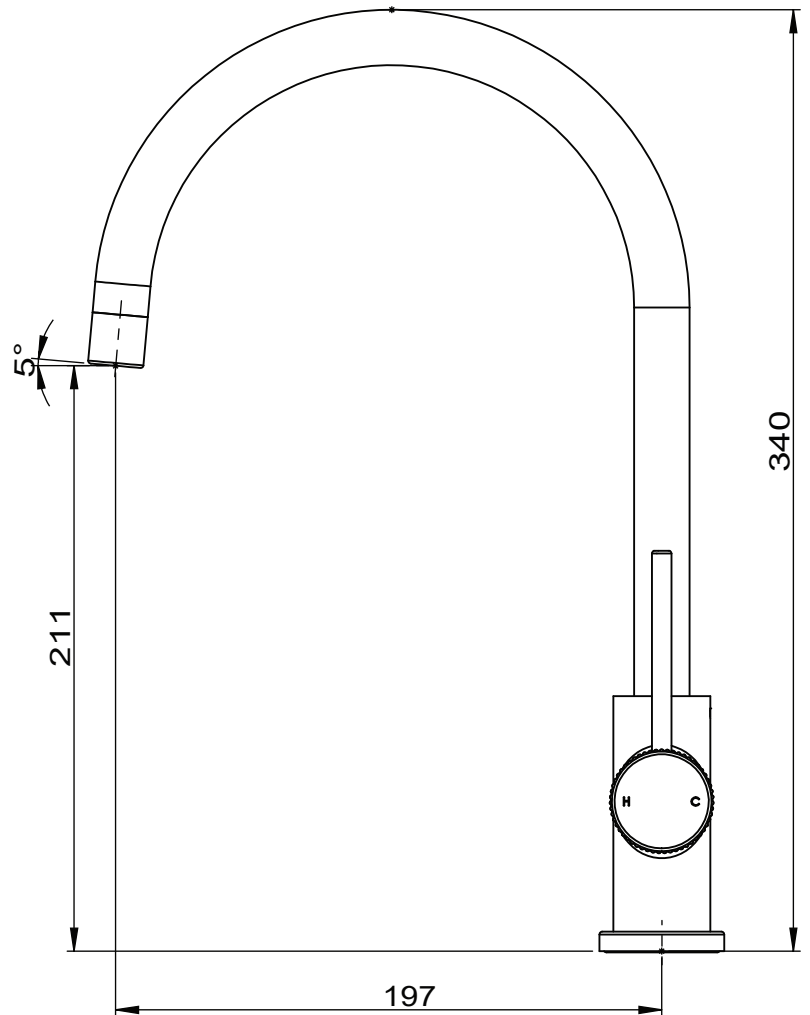
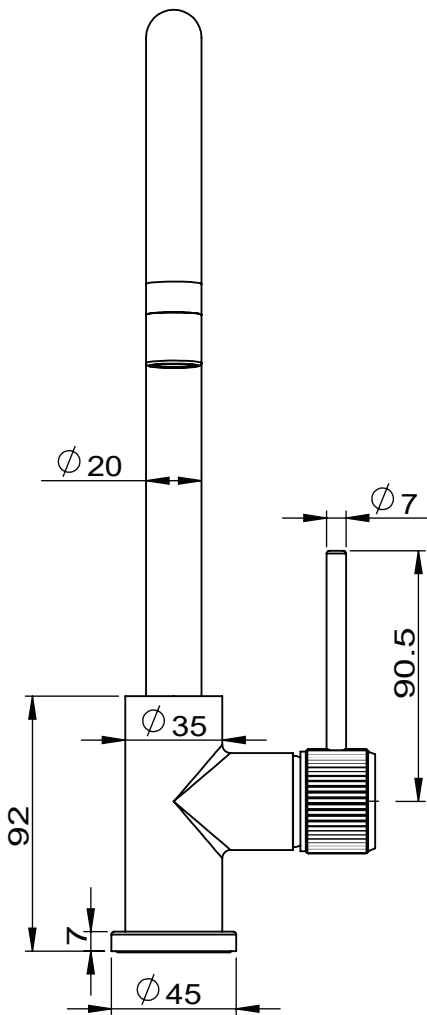
# Adp



Soul



Soul Groove



### Soul:

JTAPKSOUCP (Chrome)

### Soul Groove:

- JTAPKSOUBA (Matte Black)
- JTAPKSOUNK (Brushed Nickel)
- JTAPKSOUBB (Brushed Brass)
- JTAPKSOUWA (Matte White)
- JTAPKSOUBCO (Brushed Copper)



### Water supply requirements

Not recommended for gravity fed water systems or water tanks.

Working Pressure: 350 - 500kpa (including cold and hot water pressure)  
 Maximum Pressure: 73psi / 500kpa  
 Temperature Rating: 5°C - 65°C (must not exceed 70°C)

Installation should comply with Australian standard AS/NZS 3500 or relevant local authority requirements.