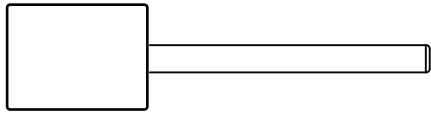


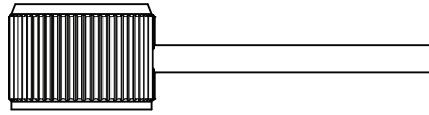
SPECIFICATIONS

SOUL PULL-OUT SINK MIXER

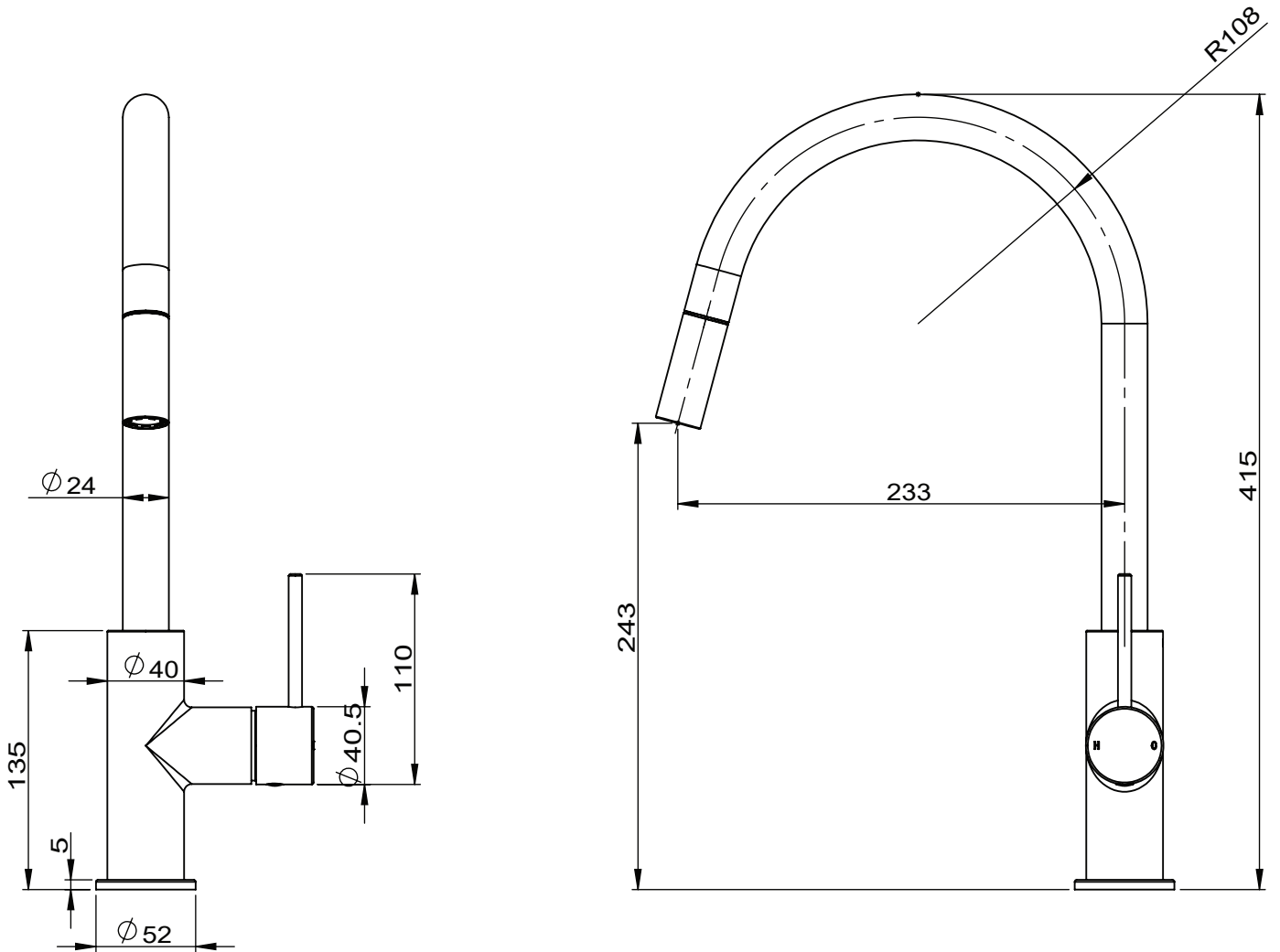
Adp



Soul



Soul Groove



Soul:

JTAPKPSOUCP (Chrome)

Soul Groove:

JTAPKPSOUBA (Matte Black)

JTAPKPSOUNK (Brushed Nickel)

JTAPKPSOUBB (Brushed Brass)

JTAPKPSOUWA (Matte White)

JTAPKPSOUBCO (Brushed Copper)

Water supply requirements

Not recommended for gravity fed water systems or water tanks.

Working Pressure: 350 - 500kpa (including cold and hot water pressure)

Maximum Pressure: 73psi / 500kpa

Temperature Rating: 5°C - 65°C (must not exceed 70°C)

Installation should comply with Australian standard AS/NZS 3500 or relevant local authority requirements.