

Filler/Infill Order Form



E orders@adpaustralia.com.au | P (02) 4271 2444 | F (02) 4271 4723

Store Details

Store Name:

Order Date:

Store Contact Name:

Purchase Order Number:

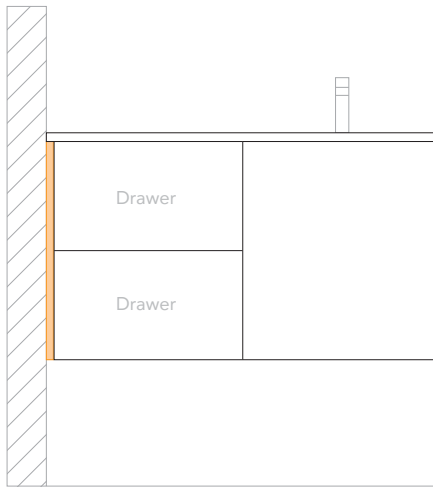
Store Phone Number:

Email:

Against Left Wall

Use when a drawer is up against a wall or when the wall is out of plumb.

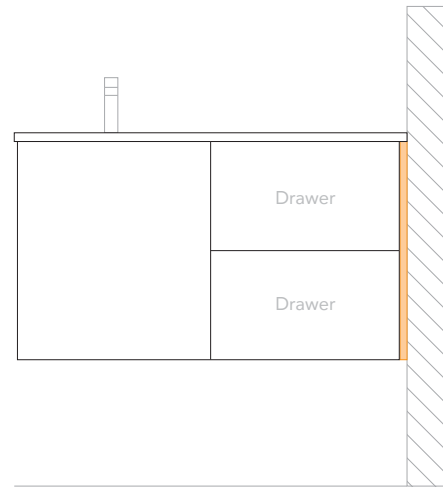
- Filler** (no changes will be made to the cabinet)
- Infill** (reduce the cabinet by 10mm)



Against Right Wall

Use when a drawer is up against a wall or when the wall is out of plumb.

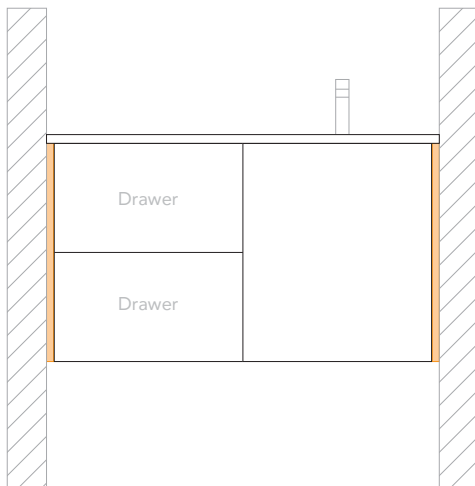
- Filler** (no changes will be made to the cabinet)
- Infill** (reduce the cabinet by 10mm)



Between Walls

Use when the vanity is going in between two walls.

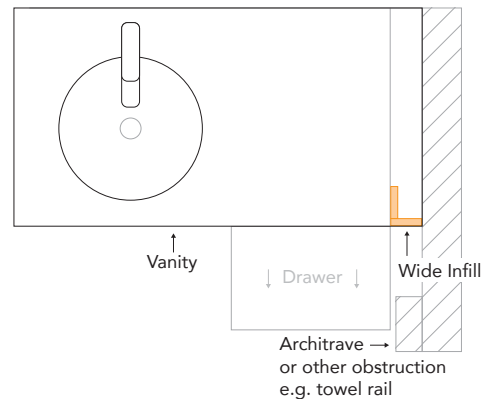
- Infill x 2** (reduce the cabinet by 20mm)



Against Wall with Architrave

Use when the drawer will not clear an architrave or obstruction (e.g. towel rail).

- Wide Infill**
60-100mm Infill (please specify): _____
Reduce the cabinet by (please specify): _____



Customer Signature: