

BASIN SPECIFICATIONS

NAME:	UNIVERSAL LARGE SINK	CODE:	SINKCLOM8244SS
MATERIAL:	304 STAINLESS STEEL	COLOUR:	NATURAL
FINISH:	BRUSHED	VOLUME:	-

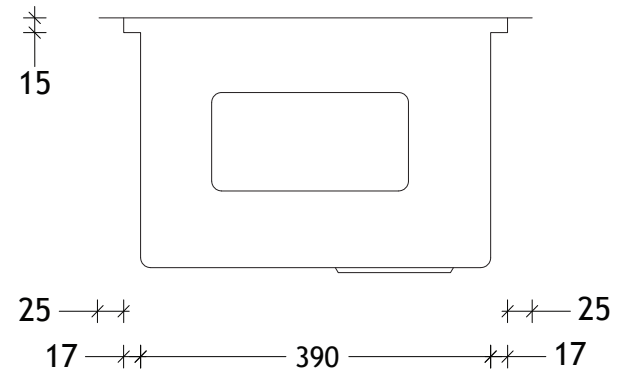
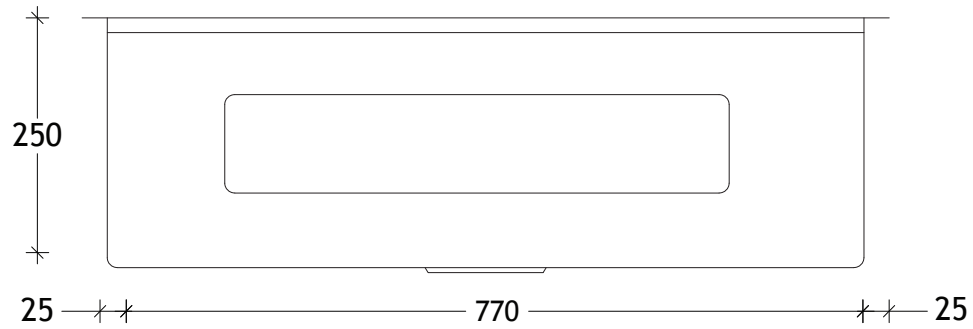
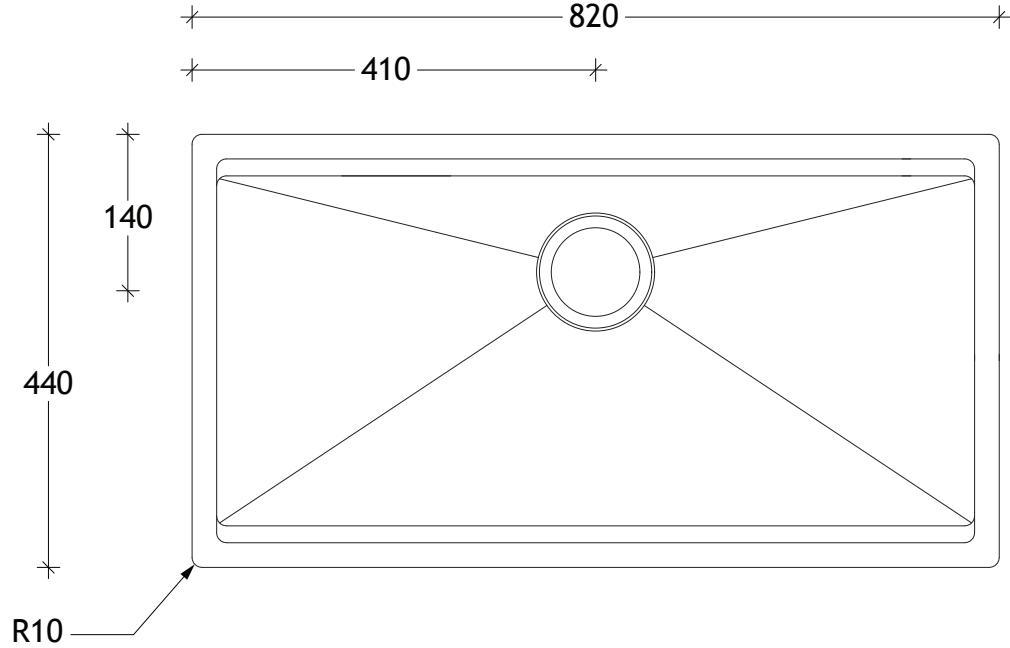


ALL DIMENSIONS ARE IN MILLIMETRES (mm)

ALL DIMENSIONS HAVE A TOLERANCE OF +/- 5mm

*DO NOT PRE DRILL MOUNTING HOLES BEFORE BASIN IS ON SITE.

*MEASURE EXACT LOCATIONS FROM YOUR BASIN.



BASIN SPECIFICATIONS

NAME:	- INNER SINK - DISH DRAINER	CODE:	SINKCLOM8244SS
MATERIAL:	304 STAINLESS STEEL	COLOUR:	NATURAL
FINISH:	BRUSHED	VOLUME:	-

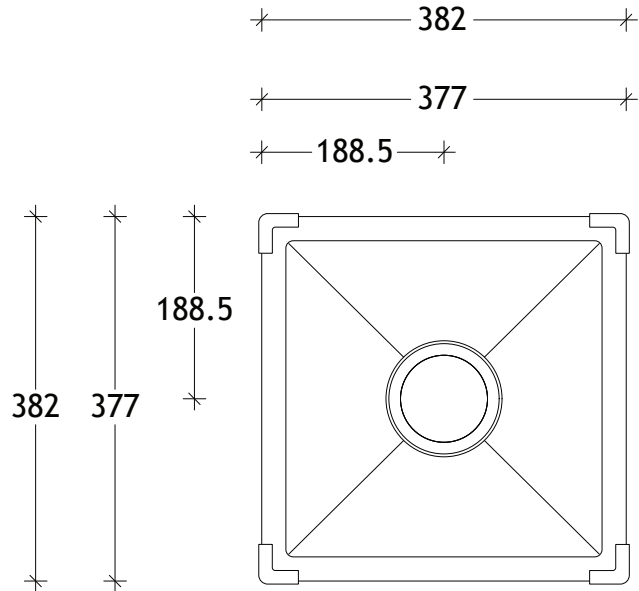


ALL DIMENSIONS ARE IN MILLIMETRES (mm)

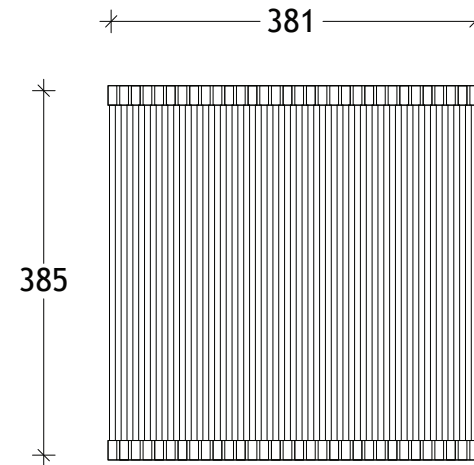
ALL DIMENSIONS HAVE A TOLERANCE OF +/- 5mm

*DO NOT PRE DRILL MOUNTING HOLES BEFORE BASIN IS ON SITE.

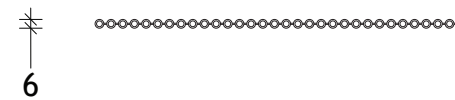
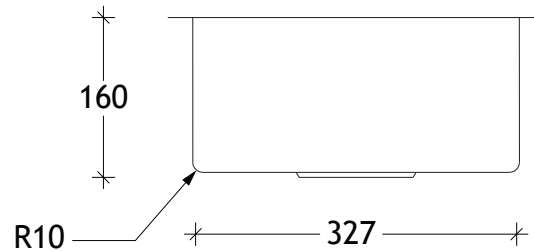
*MEASURE EXACT LOCATIONS FROM YOUR BASIN.



INNER SINK



DISH DRAINER



BASIN SPECIFICATIONS

NAME:	UNIVERSAL SINK SET	CODE:	SINKCLOM8244SS
MATERIAL:	304 STAINLESS STEEL	COLOUR:	NATURAL
FINISH:	BRUSHED	VOLUME:	-



ALL DIMENSIONS ARE IN MILLIMETRES (mm)

ALL DIMENSIONS HAVE A TOLERANCE OF +/- 5mm

*DO NOT PRE DRILL MOUNTING HOLES BEFORE BASIN IS ON SITE.

*MEASURE EXACT LOCATIONS FROM YOUR BASIN.

