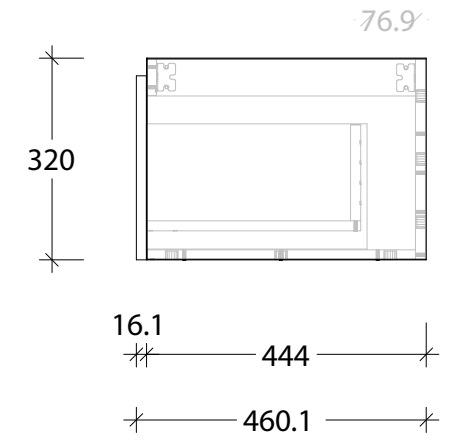
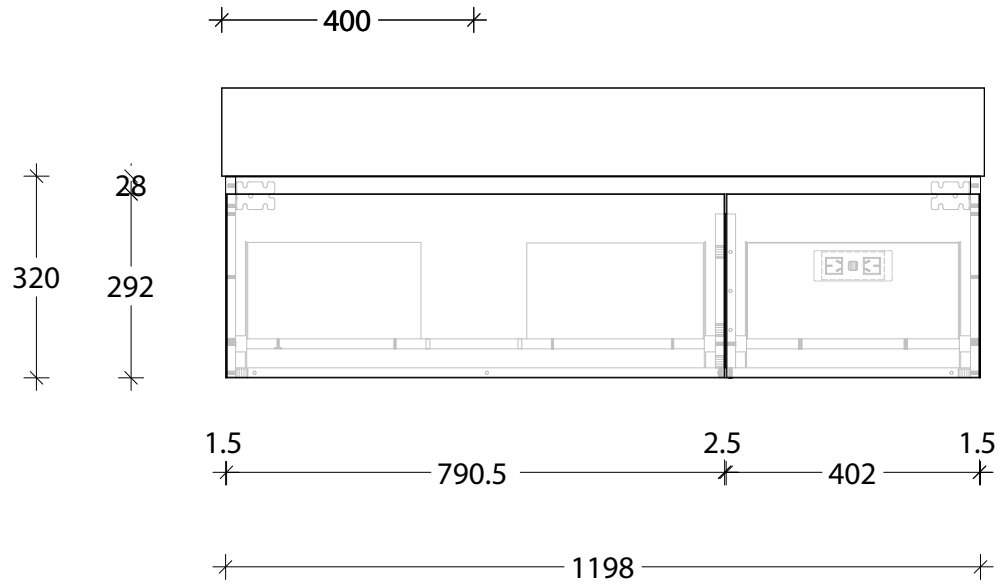
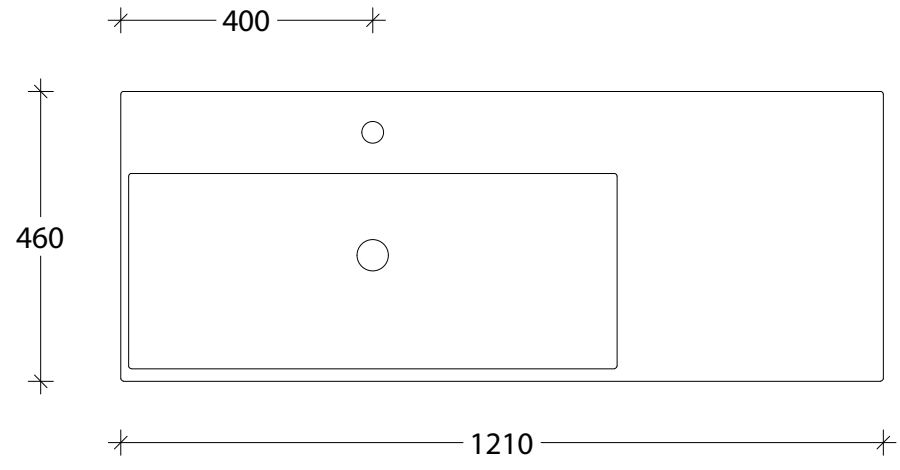
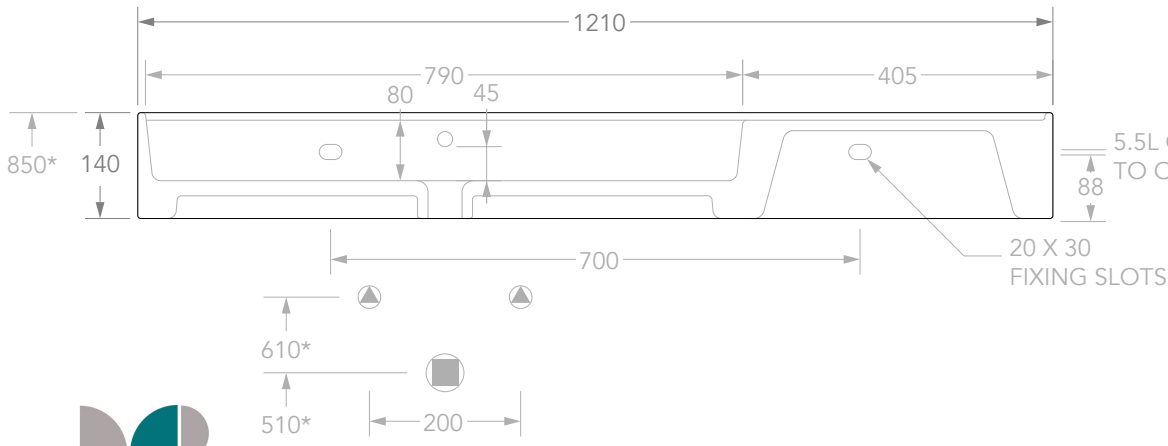
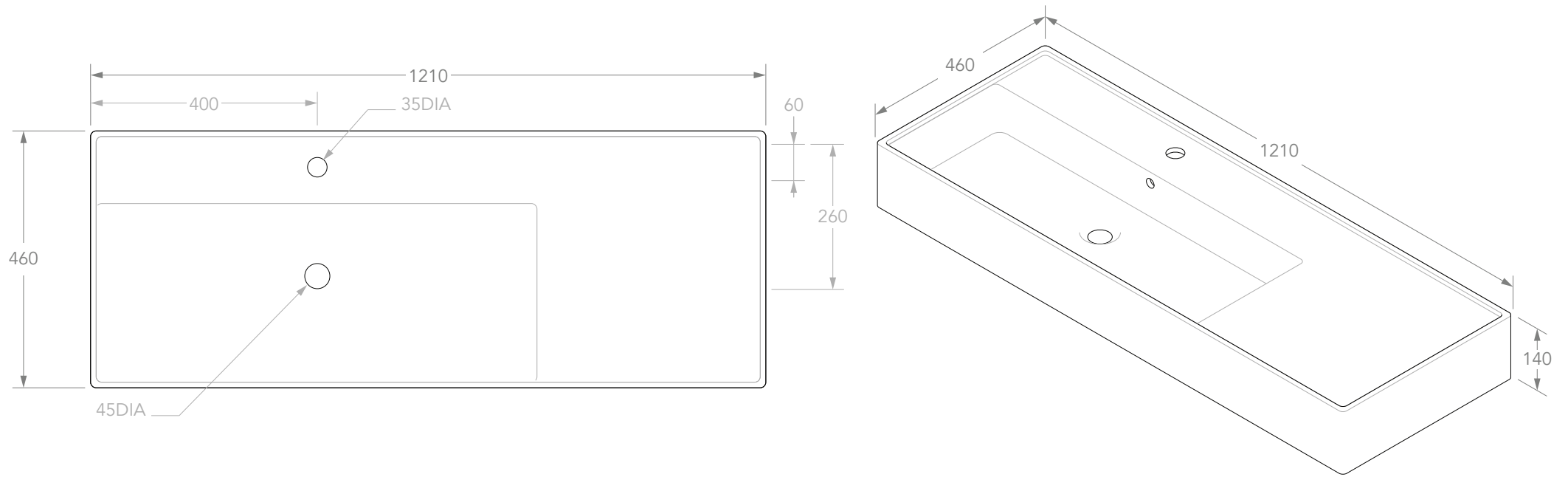


NAME:	CAPFA1200WHL
SIZE:	1200
WK/WH:	WALL HUNG
CONFIGURATION:	LEFT OFFSET BOWL



PLEASE NOTE: Do not perform any plumbing rough in prior to taking delivery of your vanity, as all measurements are nominal and are subject to change. Measure exact locations from your vanity once it is on site. Due to the manufacturing nature of ceramic tops, size variation (+/-5mm) is to be expected, due to the 1200°C kiln vitrification process.



<b>PRODUCT</b>	SCARABEO TEOREMA 2.0 1200	<b>MATERIAL</b>	CERAMIC	* RECOMMENDED ROUGH IN SPECS FOR PLUMBER BASED ON INSTALLED BENCH HEIGHT OF 850. LEFT OFFSET BASIN SHOW. RIGHT IS SAME BUT MIRRORED. BASIN REQUIRES 32MM WASTE WITH OVERFLOW. ADP UNIVERSAL WASTE RECOMMENDED (SOLD SEPARATELY) ALL DIMENSIONS ARE NOMINAL AND SUBJECT TO CHANGE. DO NOT DRILL OR ROUGH IN UNTIL YOU HAVE RECEIVED AND MEASURED YOUR PRODUCT. ALL DIMENSIONS ARE IN MILLIMETRES. DO NOT MEASURE FROM DRAWING.
<b>CODE</b>	TOPCTEO120GWL** / TOPCTEO120GWR**	<b>COLOUR</b>	WHITE	
<b>STYLE</b>	WALL BASIN	<b>FINISH</b>	GLOSS	
<b>DIMENSIONS</b>	1210W X 460D X 140H	<b>BOWL POSITION</b>	OFFSET (LEFT SHOWN)	
<b>CAPACITY</b>	5.5L TO OVERFLOW	<b>TAP HOLE</b>	0 OR 1** (-1TH) (3 TAP HOLE CAN BE DRILLED ON REQUEST)	
VERSION 3	DATE 23/04/2020			