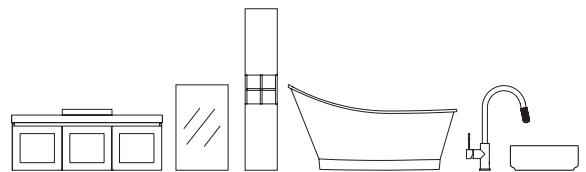


Adp

BATHS

INSTALLATION INSTRUCTIONS



ARE YOU INSTALLING THIS PRODUCT?

Please read the installation instructions BEFORE INSTALLATION.

If the product is not installed in accordance with these instructions, your ADP warranty may be void and the homeowner may have a claim against you (the installer).

This product must be installed by a qualified tradesperson.

PLEASE RETURN TO HOME OWNER - IMPORTANT CARE & WARRANTY INFORMATION INSIDE.
For more information visit www.adpaustralia.com.au.

✓ PRIOR TO INSTALLATION CHECKLIST



This product must be installed by a qualified tradesperson and we would expect the installation to be undertaken in a tradesperson like manner and finished to a tradesperson standard. This product carries a full warranty against faulty workmanship and materials.

Please inspect thoroughly before installation to ensure that the product has not been damaged and is correct. No claims for damage or incorrect items will be recognised after installation.

1 Check Products For Any Damages

Within 48 hours of receiving your goods, unpack your ADP product and check for any possible freight damages or incorrect items.

Please contact your place of purchase to report damages or missing parts.

No claims for damages will be recognised after installation.

Please note: waste fittings not supplied.

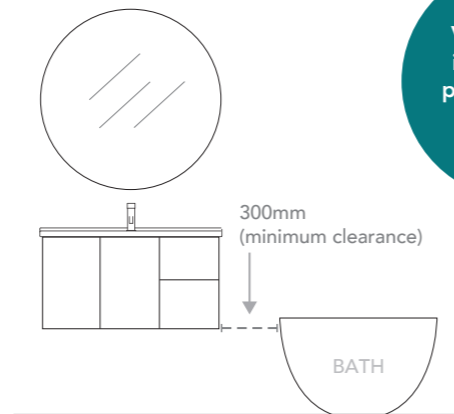


2 Positioning & Ventilation

Planning your bathroom furniture placement is critical.

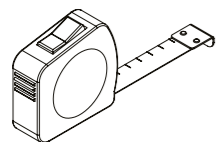
Furniture must be at least 300mm away from any wet areas, including baths as water spray may occur.

It is important that your bathroom is adequately ventilated to eliminate moisture and mould build up to protect your bathroom furniture.

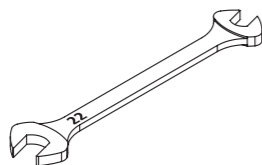


Ventilation is important to prevent mould & moisture build up

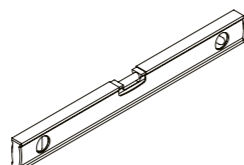
✓ TOOLS YOUR TRADESPERSON WILL NEED



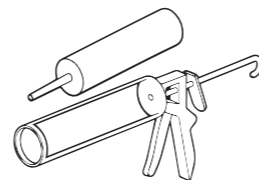
Tape measure



Spanner



Spirit level



Non-Acidic Silicone

✂ BATH INSTALLATION

