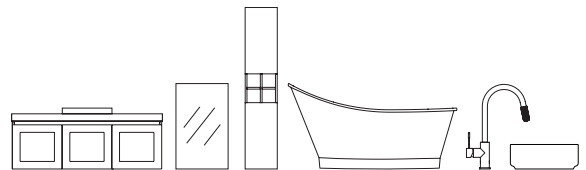


Adp

INSTALLATION INSTRUCTIONS

Michel & Minima Bench



ARE YOU INSTALLING THIS PRODUCT?

Please read the installation instructions BEFORE INSTALLATION.

If the product is not installed in accordance with these instructions, your ADP warranty may be void and the homeowner may have a claim against you (the installer).

This product must be installed by a qualified tradesperson.

PLEASE RETURN TO HOME OWNER - IMPORTANT CARE & WARRANTY INFORMATION INSIDE.
For more information visit www.adpaustralia.com.au.

✓ PRIOR TO INSTALLATION CHECKLIST



This product must be installed by a qualified tradesperson and we would expect the installation to be undertaken in a tradesperson like manner and finished to a tradesperson standard. This product carries a full warranty against faulty workmanship and materials.

Please inspect thoroughly before installation to ensure that the product has not been damaged and is correct. No claims for damage or incorrect items will be recognised after installation.

IT IS THE RESPONSIBILITY OF THE INSTALLER TO MAKE ANY ADJUSTMENTS TO DOORS/DRAWERS AFTER INSTALLATION IF REQUIRED.

Please Note: If you cannot find the installation instructions for your ADP product in this booklet please go to www.adpaustralia.com.au/installation-warranty to find applicable instructions.

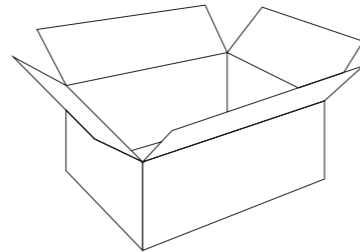
1 Check Products For Any Damages

Within 48 hours of receiving your goods, unpack your ADP product and check for any possible freight damages or incorrect items.

Please contact your place of purchase to report damages or missing parts.

No claims for damages will be recognised after installation.

Please note: fixing screws/bolts are not supplied for installation.



2 Positioning & Ventilation

Planning your bathroom furniture placement is critical.

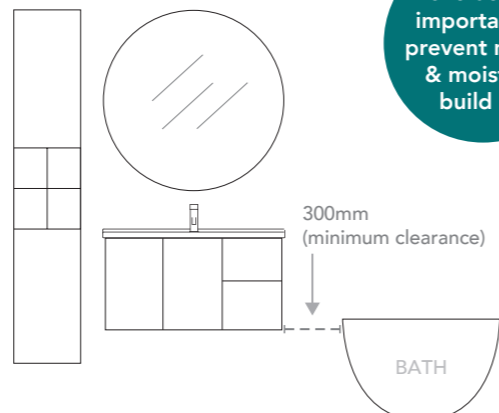
Furniture must be at least 300mm away from any wet areas. Materials used in the construction of our furniture units are moisture resistant, not water proof.

Do not expose furniture to shower spray.

It is important that your bathroom is adequately ventilated to eliminate moisture build up.

High humidity will lead to permanent dampness and mould resulting in a deterioration of the materials in your bathroom.

Water damage is not covered under ADP Warranty.

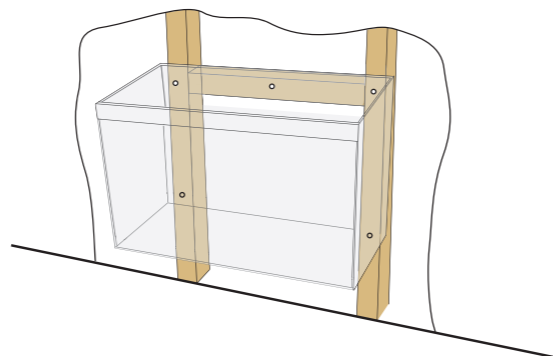


3 Check for Support Beams

Wall hung furniture & basins require fixing to a support beam fitted between the studs to give a solid wall backing to attach the vanity to.

If necessary, fix additional support noggins at desired height for cabinet and basin fixing prior to sheeting the wall.

Ensure total width of support noggin exceeds vanity width.



4 Check for Plumb Walls & Level Floors

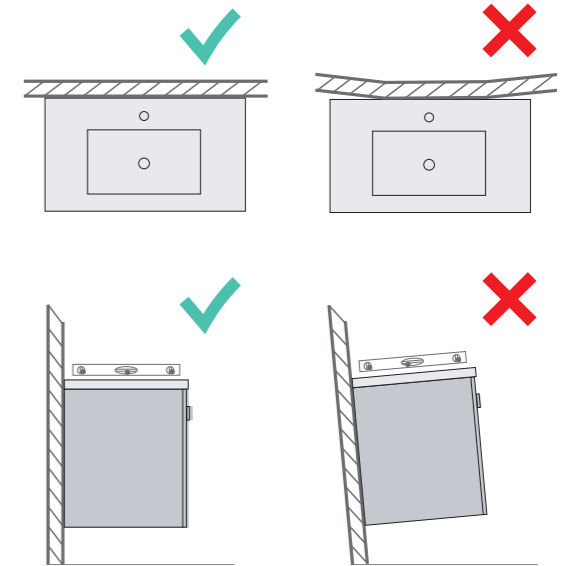
Ensure the wall is plumb and straight, ensure floor is level. If you fix the product to a non-plumb wall or floor the following could happen:

- Your door or drawers will not operate correctly.
- Door or drawers will not align.
- Basins will not sit level, which may cause water to pool or not drain properly.

If it is not possible to make the wall or floor plumb and straight you must pack the vanity out so that it does not follow the out of aligned wall.

Floor standing vanities must sit on a level floor or be packed so they sit level and true.

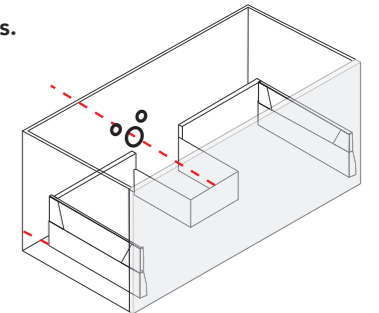
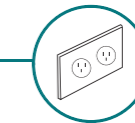
Please note if your vanity is fixed to a bowed wall, the fastening of the fixings will force your cabinet to twist and benchtop materials may crack due to increased stress on joins and materials.



5 Check Plumbing Positions Align with Product Interior Configurations.

Take note of clearances behind drawers when considering water supply fittings inside cabinet.

Please note if your product has any electrical fittings please allow for this and talk to your electrician

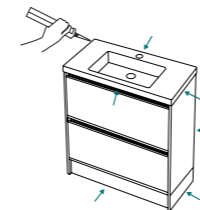


⚠ IMPORTANT TIPS



ENSURE ALL TILES EXTEND BEHIND AND BENEATH THE BATHROOM FURNITURE.

ADP do not recommend tiling in furniture due to moisture and mould build up which can damage the material and void the warranty.



ALL AREAS WHERE CABINET/TOP MEETS WALL AND/OR FLOOR MUST BE SEALED USING A NEUTRAL CURE SILICONE.

All edges where vanity top meets cabinet, wall or surrounding furniture must be sealed with a continuous bead of silicone.

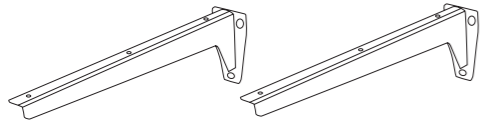


IT IS THE RESPONSIBILITY OF THE INSTALLER TO MAKE ANY ADJUSTMENTS TO DOORS/DRAWERS AFTER INSTALLATION IF REQUIRED.

There may have been some movement in transportation and installation which causes doors/drawers to become unaligned.

INSTALLATION INSTRUCTIONS: MICHEL & MINIMA BENCH

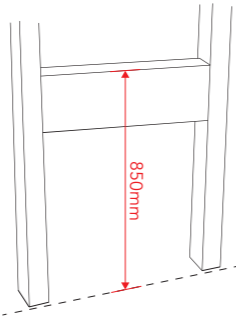
1 Parts you should receive Wall Brackets



You should have received wall brackets with your Michel or Minima bench.

- 2 wall brackets - for sizes up to 1500
- 3 wall brackets - for sizes 1500 and longer

2 Support Beam

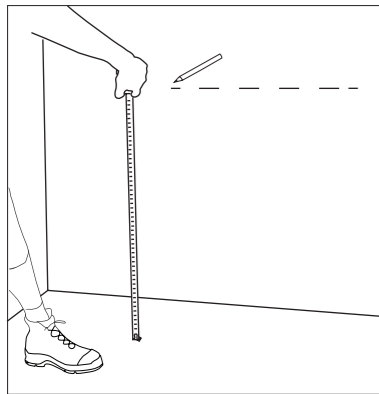


It is recommended that a 150 x 35mm timber support beam be pre-installed into the framework prior to sheeting the wall.

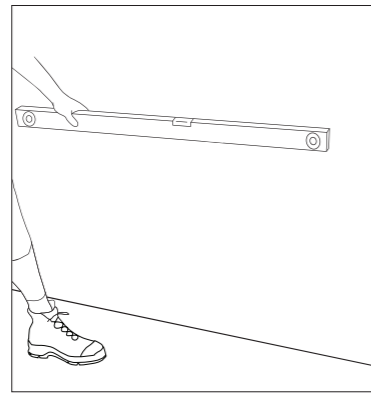
The recommended height of the support beam is approximately 850mm from the finished floor level. This will determine the overall height of the vanity.

Note: Keep your basin height in mind - you may want your bench to sit slightly lower if you have an above-counter basin.

3 Support Beam & Positioning

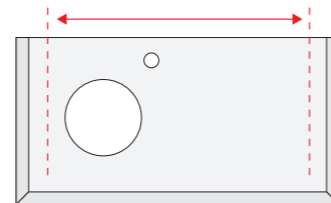


Once the wall has been sheeted, mark the position of the top of the support beam on the wall (this will be your overall benchtop height).



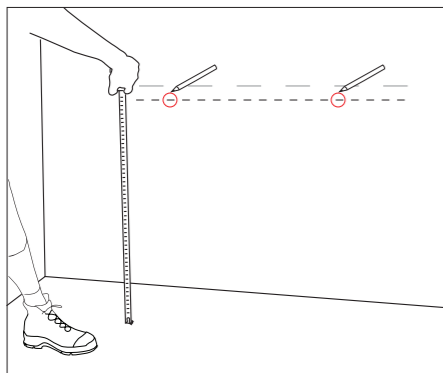
Check that the marks are completely level.

4 Bracket position



Measure the bracket position on the underside of the bench, making sure to leave enough room for the basin, waste and plumbing.

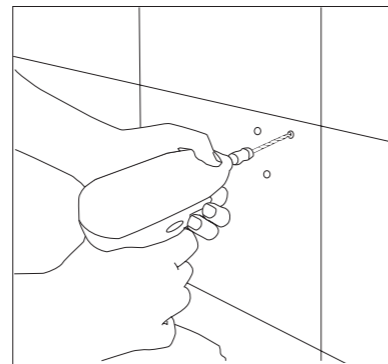
5 Mark the position of the wall brackets



Mark the bracket positions on the wall. All three holes in each bracket should fall within the support beam.

Note: Top of the brackets should sit 20mm below finished benchtop line to allow for benchtop thickness.

6 Pre-drill bracket positions

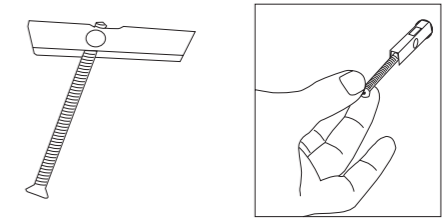


Pre-drill into the wall through each of the hole locations in the wall bracket (3 per bracket). Be sure to use an appropriate drill bit for your wall covering (tiles etc).

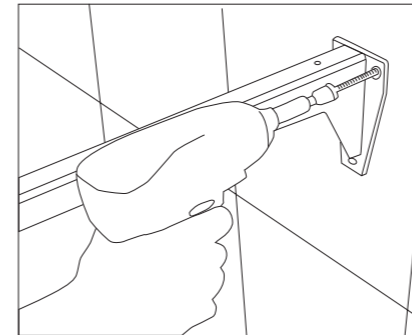
PLEASE NOTE

Where a stud or support beam cannot be located, use an appropriately sized hollow wall anchor.

Note: It is not recommended to ONLY use hollow wall anchors to fix bench to the wall however these can be used if one or two pilot holes do not penetrate into support beam.



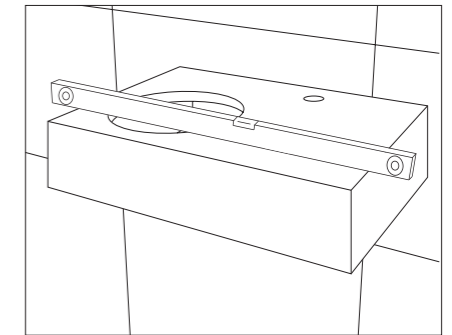
7 Fix brackets to the wall



Secure each bracket to the wall using an appropriate screw/bolt.

Brackets that are installed correctly are capable of holding a maximum load of 250kg each.

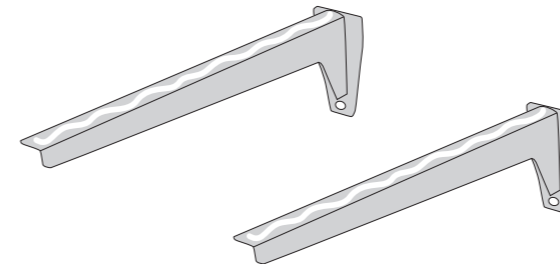
8 Place bench in position on the brackets



Place bench on the brackets, check it is level in all directions.

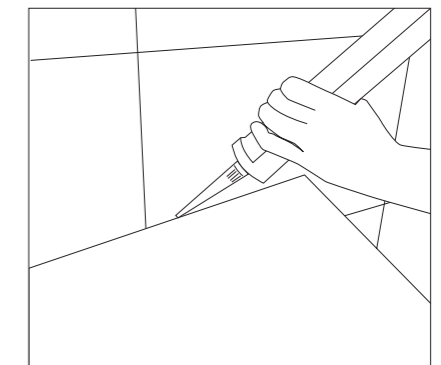
If unlevel, use packing material to ensure that benchtop surface is completely level.

9 Apply epoxy glue



Once the bench is level, remove the bench from the brackets and apply epoxy glue to the top of each bracket. Place the unit back on the bracket (with the packing material if needed).

10 Seal the external edges



Seal the external edges of the bench top and sides to the wall with a neutral cure silicone.

For more information please visit www.adpaustralia.com.au