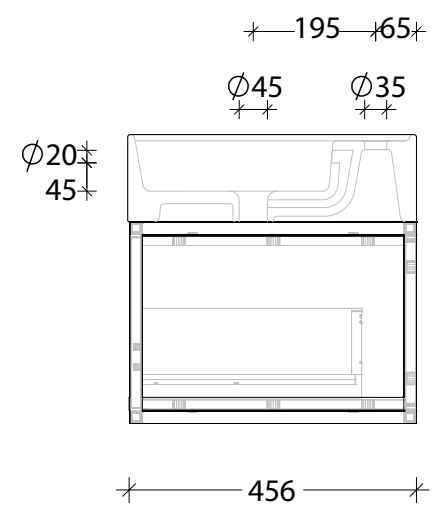
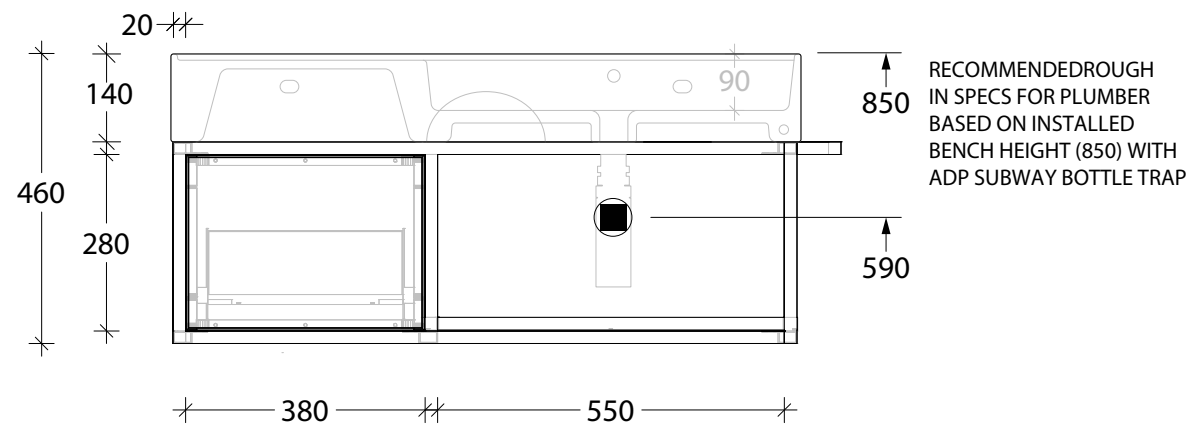
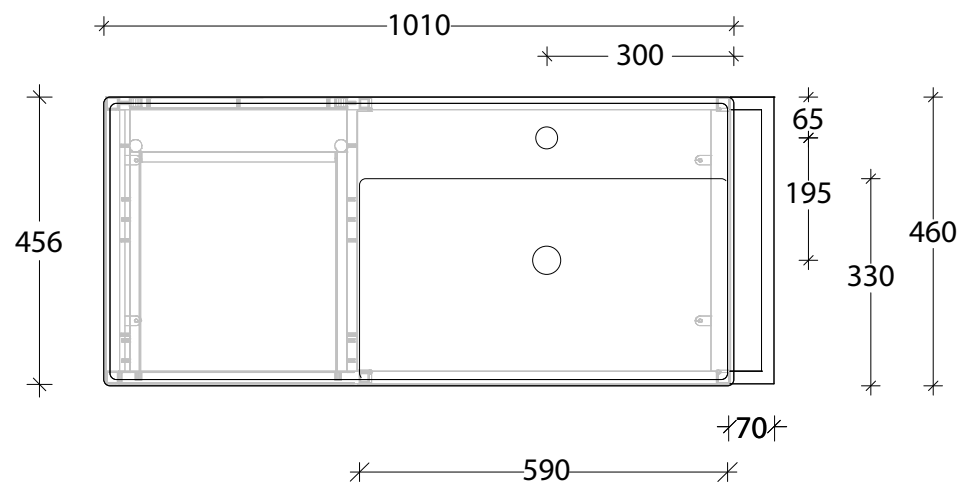


NAME:	ANTONIO ANTFC100WHL/R
SIZE:	1000
WK/WH:	WALL HUNG
CONFIGURATION:	DRAWER AND OPEN SHELF



PLEASE NOTE: Do not perform any plumbing rough in prior to taking delivery of your vanity, as all measurements are nominal and are subject to change. Measure exact locations from your vanity once it is on site.