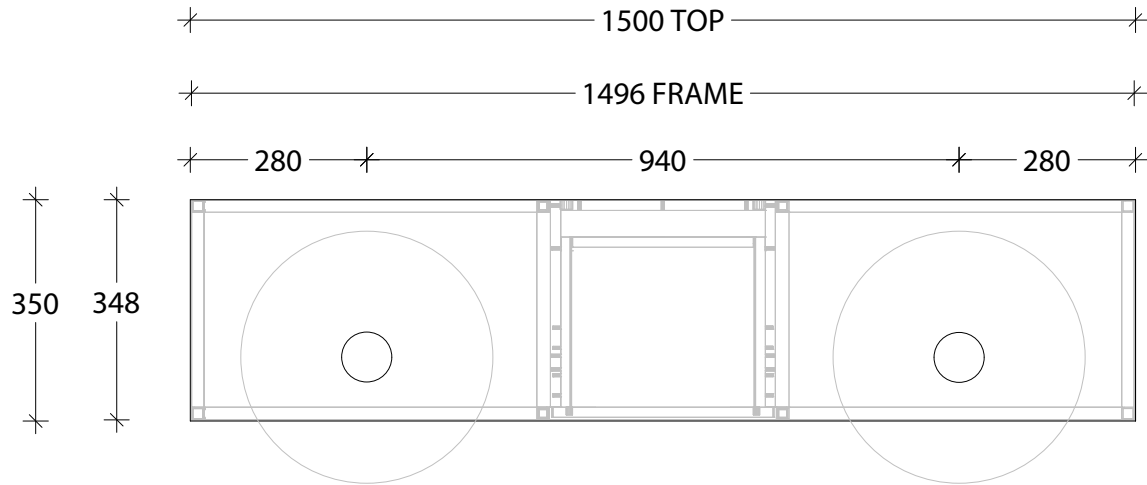


NAME:	COQSAS1500WHD CP - FR - CS v1
SIZE:	1500
WK/WH:	WALL HUNG
CONFIGURATION:	DRAWER AND OPEN FRAME



* RECOMMENDED ROUGH IN SPECS FOR PLUMBER
 BASED ON INSTALLED BENCH HEIGHT (850) WITH
 JAMIE.J SUBWAY BOTTLE TRAP

NOTE:
 ALL DIMENSIONS ARE NOMINAL.

PLEASE DO NOT DRILL OR ROUGH IN UNTIL YOU
 HAVE RECEIVED YOUR VANITY

