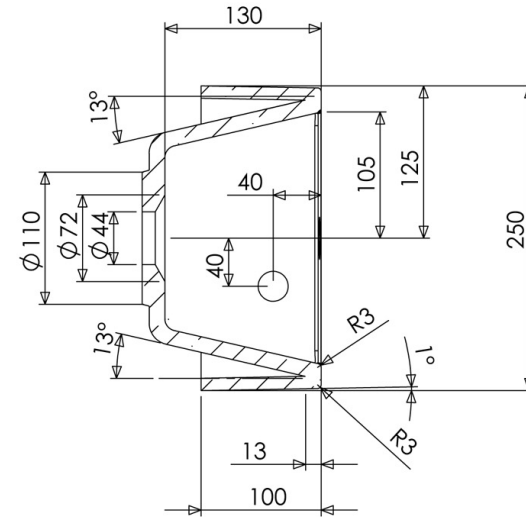
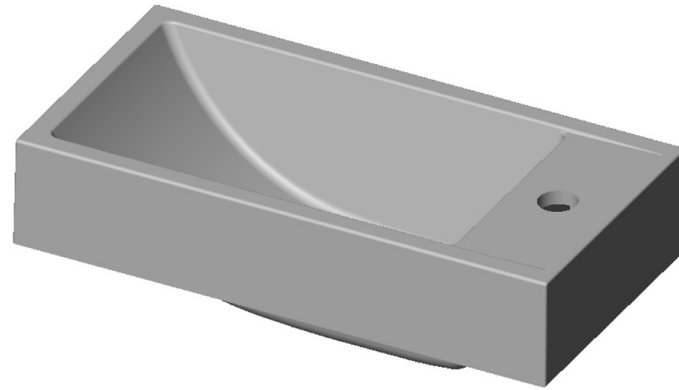
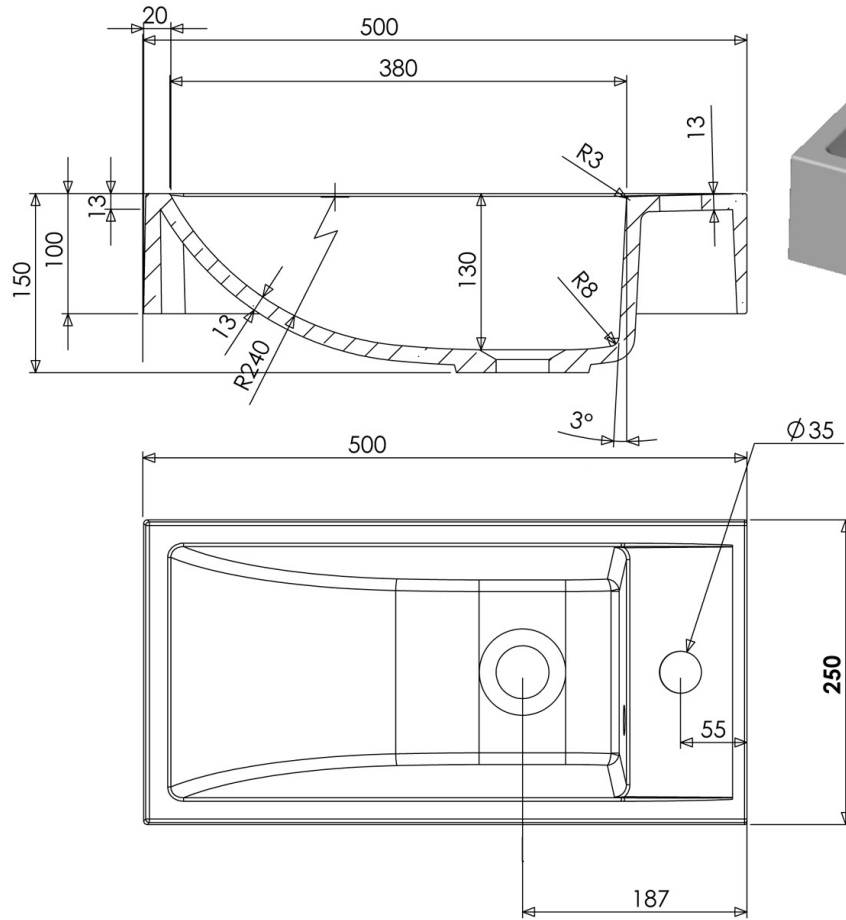


PRODUCT	LILY	TOP	TAMARAMA POLYMARBLE GLOSS WHITE	NOTES: DIMENSIONS ARE NOMINAL. DO NOT DRILL OR ROUGH IN UNTIL YOU HAVE RECIEVED AND MEASURED YOUR VANITY. BEVEL GRIP FINGER PULL VERSION PICTURED. HANDLES IS SAME BUT WITHOUT 30MM HORIZONTAL GAP. BASIN IS REVERSIBLE. WASTE SHOWN IN RIGHT POSITION.
CODE	LILMDS0500WHCPM	BASIN POSITION	REVERSIBLE	
DIMENSIONS	500WX 500HX 250D	HARDWARE AND ACCESSORIES		
CONFIGURATION	ALL DOOR WALL HUNG			
VERSION 1	DATE 13/02/2020			



architectural designer products

PRODUCT	LILY	TOP	TAMARAMA POLYMARBLE GLOSS WHITE	NOTES: DIMENSIONS ARE NOMINAL. DO NOT DRILL OR ROUGH IN UNTIL YOU HAVE RECEIVED AND MEASURED YOUR VANITY. BEVEL GRIP FINGER PULL VERSION PICTURED. HANDLES IS SAME BUT WITHOUT 30MM HORIZONTAL GAP. BASIN IS REVERSIBLE. WASTE SHOWN IN RIGHT POSITION.
CODE	LILMDS0500WHCPM	BASIN POSITION	REVERSIBLE	
DIMENSIONS	500WX 500HX 250D	HARDWARE AND ACCESSORIES		
CONFIGURATION	ALL DOOR WALL HUNG			
VERSION 1	DATE 13/02/2020			