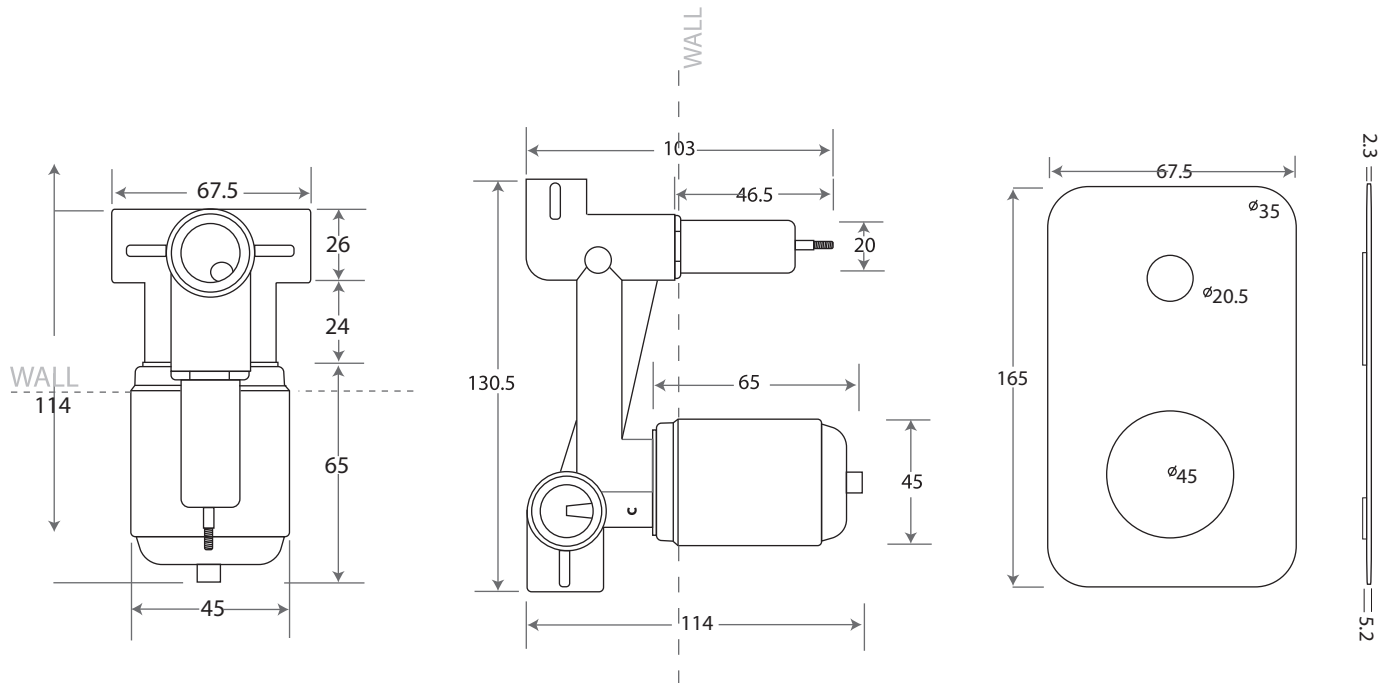


# SPECIFICATIONS

## COSMOPOLITAN WALL DIVERTER

### Part A



### Part B

